

SHEET

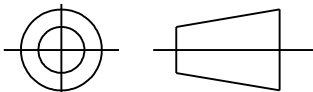
REV

SIZE DRAWING NO.

52A107188

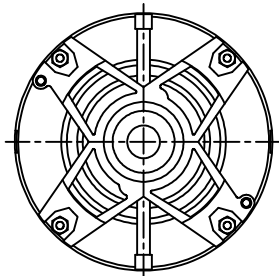
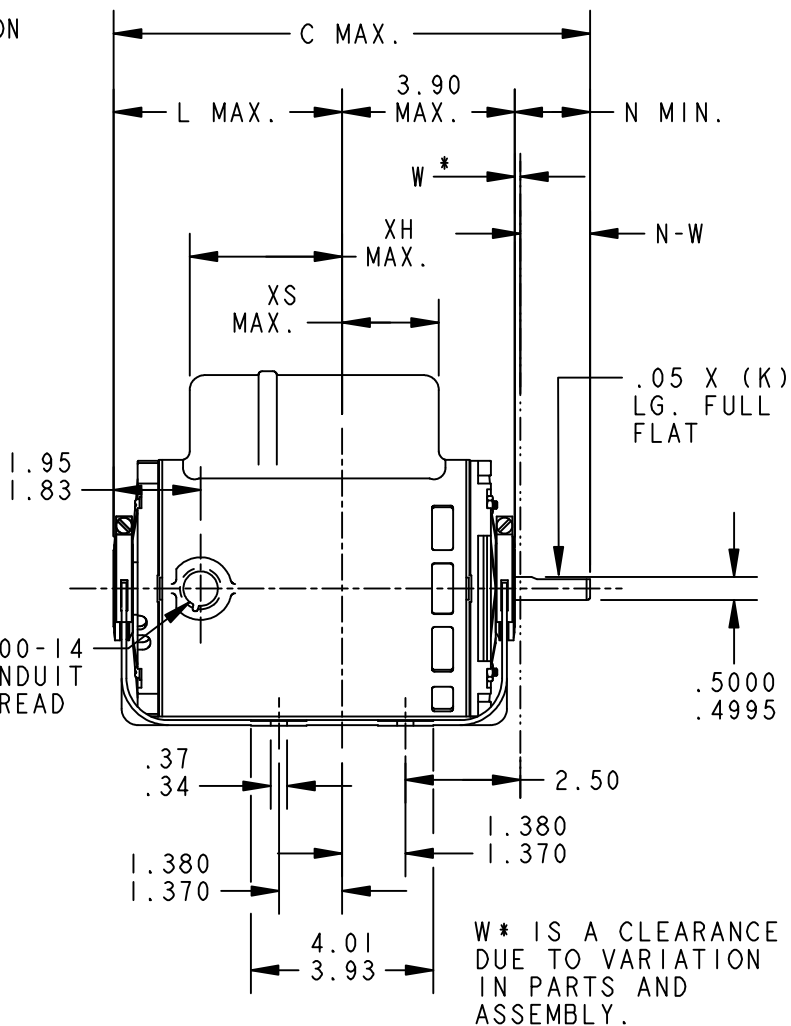
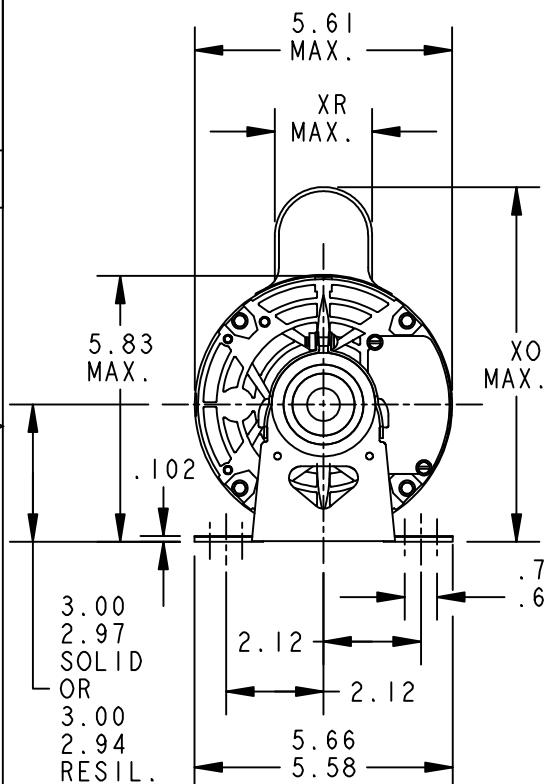
A

THIRD ANGLE PROJECTION



REVISIONS

REV.	DESCRIPTION	DATE	APPROVED
2	REDRAWN BY 2M SOFTWARE CO.	03/11/95	CCP
3	CHG TO RBC FORMAT PER IS05-1777	02/22/06	SUDHA

VIEW SHOWING
P.E. VENTILATION
OPENINGS

2	KH	35	48	9.56	1.16	4.22	1.50	1.63/1.41	3.05	7.93	2.22	2.70
1	KHC	37	48	10.39	1.16	5.05	1.50	1.63/1.41	3.44	7.68	2.10	2.36
P	TYPE	GE SIZE	NEMA FR	C	K	L	N	N-W	XH	XO	XR	XS

SIGNATURES

DATE

MODEL B. JOHNSON 08/28/91

DETAIL . .

CHECKED . .

ENGRG . .

MFG . .

QUALITY . .

ISSUED C.C.P. 03/11/95

FOR ADDITIONAL INFO REFER TO:
APPLIED PRACTICES
DIMENSIONS ARE IN INCHES

SOLID MODEL: 52A107188



REGAL-BELOIT CORPORATION

TITLE

OUTLINE

FORM N - GENERAL PURPOSE MOTOR - DRIP PROOF

SOLID OR RESIL BASE - BALL OR SLEEVE BEARING FMF: 5KHC37NNA167T

SIZE DRAWING

A

52A107188

REV

3

SCALE: 0.250 REF. No: .

SHEET 1 of 1