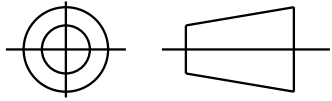


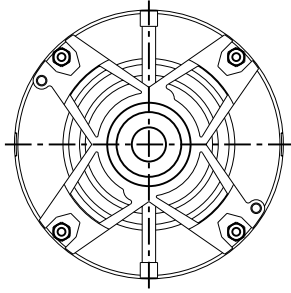
THIRD ANGLE PROJECTION

REVISIONS

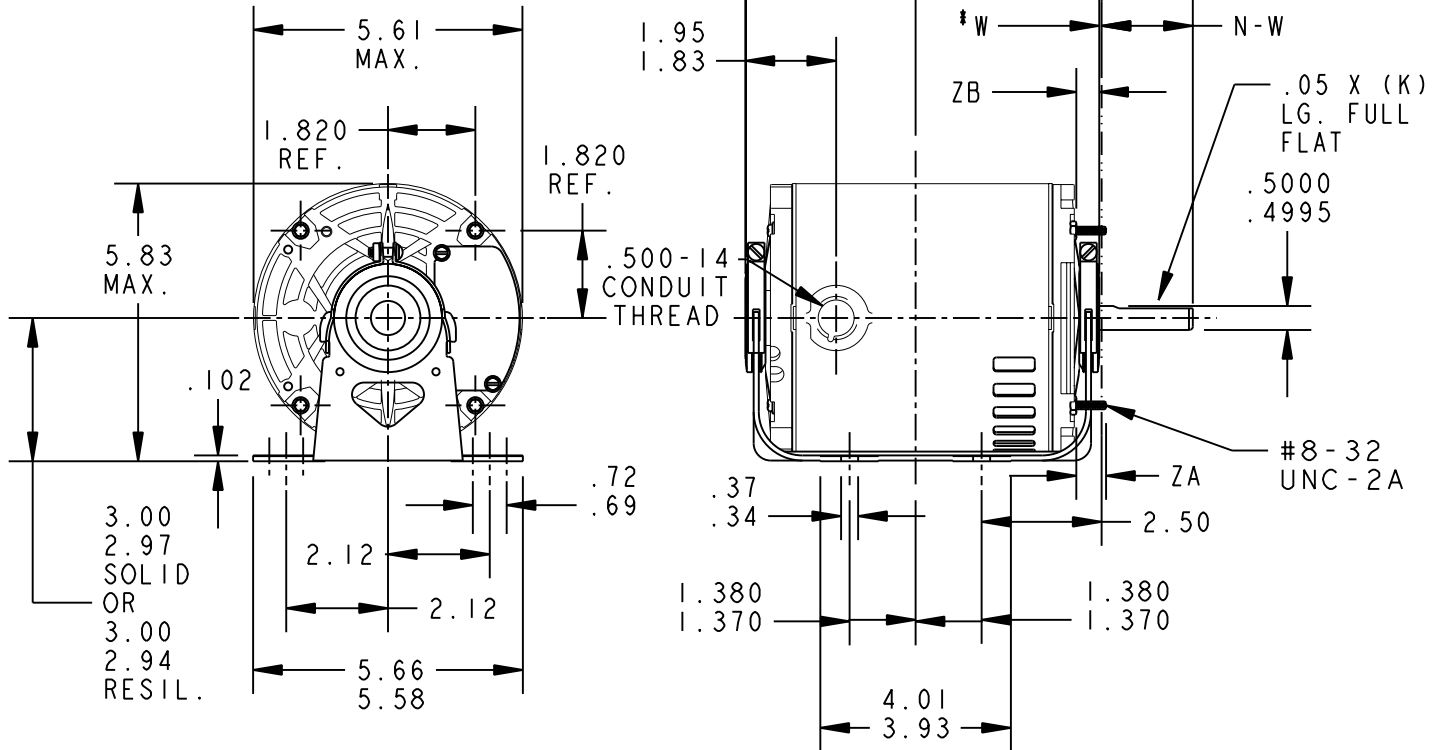


REV.	DESCRIPTION	DATE	APPROVED
1	REMOVED GROUND SCREW.	09/03/96	M.D.PAPE
2	CHG TO RBC FORMAT PER ISO5-1777	04/03/06	SUDHA

52A109854 2




VIEW SHOWING P.E. VENTILATION OPENINGS



W# IS A CLEARANCE DUE TO VARIATION IN PARTS AND ASSEMBLY.

I	KH	32	48Z	9.32	1.54	3.59	1.88	2.01/1.79	.55/.52	.62
P	TYPE	GE SIZE	NEMA FR	C	K	L	N	N-W	ZB	ZA

FOR ADDITIONAL INFO REFER TO: APPLIED PRACTICES DIMENSIONS ARE IN INCHES ✓ MATERIAL	SIGNATURES		DATE	 <p>REGAL-BELOIT CORPORATION</p> <p>TITLE OUTLINE</p> <p>FORM N - GENERAL PURPOSE MOTOR - DRIP PROOF - SOLID OR RESIL. BASE - BALL OR SLEEVE BEARING</p> <p>SCALE: 0.250 REF. No: .</p>
	MODEL	M.D.PAPE	07/24/96	
	DETAIL	.	.	
	CHECKED	.	.	
	ENGRG	.	.	
MFG	.	.		
QUALITY	.	.		
ISSUED	M.D.PAPE	07/24/96		
SOLID MODEL: 52A109854				

52A109854 2

SHEET 1 of 1