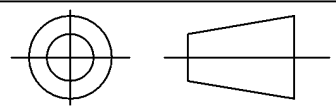


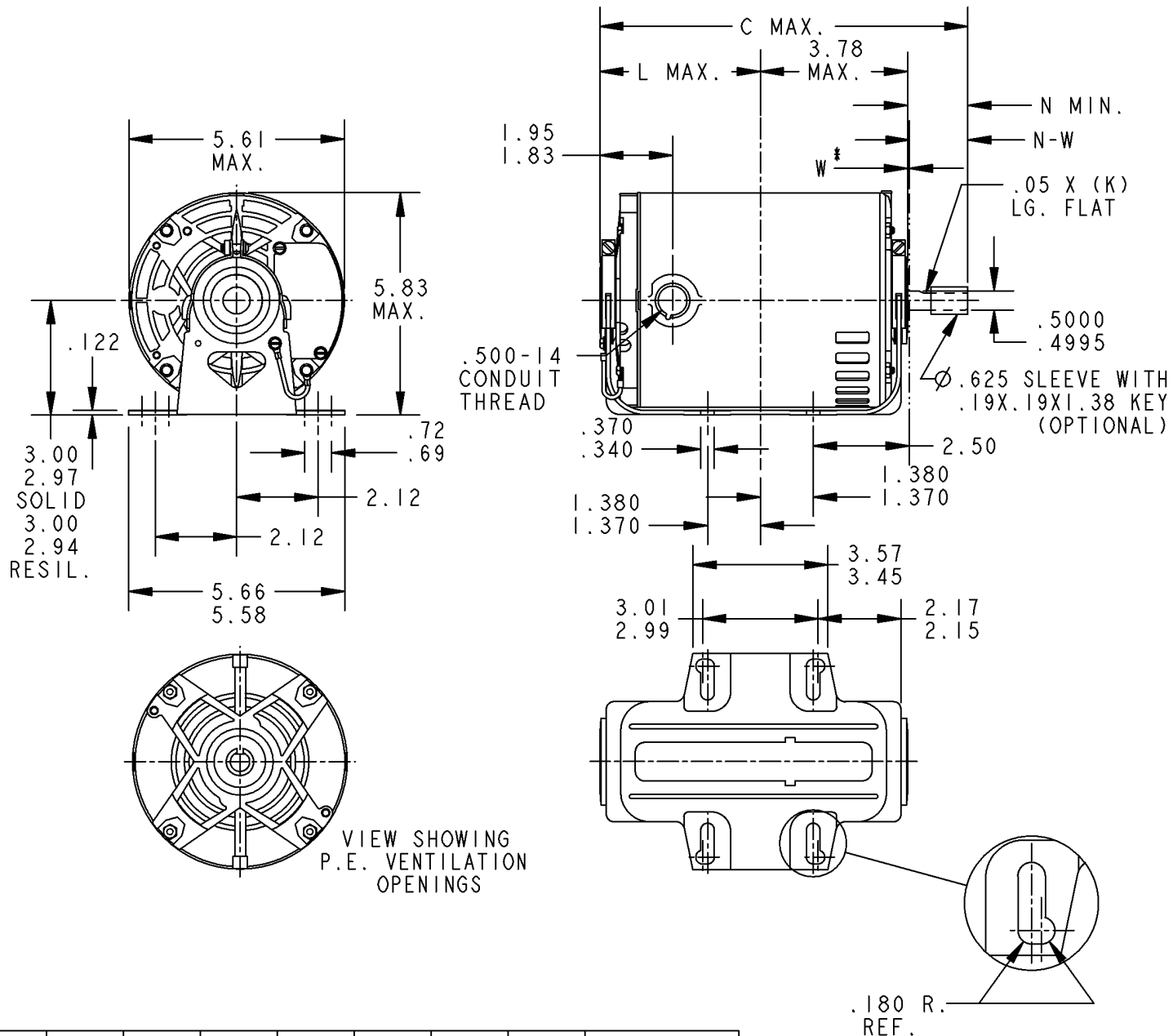
SHEET 1  
REV 4  
52A111269  
SIZE DRAWING NO. A

THIRD ANGLE PROJECTION



REVISIONS

REV.	DESCRIPTION	DATE	APPROVED
3	ADDED BASE PER IS05-3105	12/01/05	RAJKUMAR
4	CHG SHELL VENTS FOR ONLY BOTTOM HALF PER IS07-0974	05/09/07	MADHU



VIEW SHOWING P.E. VENTILATION OPENINGS

I	K	KH	33	48Y	9.62	1.62	3.96	1.88	2.01/1.79
P	TYPE	RBC SIZE	NEMA FR	C	K	L	N	N - W	

W\* IS A CLEARANCE DUE TO VARIATION IN PARTS AND ASSEMBLY.

SIGNATURES		DATE	<p style="text-align: center;"><b>REGAL-BELOIT CORPORATION</b></p> <p style="text-align: center;"><b>OUTLINE</b></p> <p style="text-align: center;"><b>FORM N - GENERAL PURPOSE MOTOR - DRIP PROOF - SOLID OR RESIL</b></p> <p style="text-align: center;"><b>BASE - BALL OR SLEEVE BEARING - SPECIAL MOUNTING HOLES IN BASE</b></p>
MODEL		.	
DETAIL		DURGA 12/16/04	
CHECKED		.	
ENGRG		.	
MFG		.	TITLE
FOR ADDITIONAL INFO REFER TO:		.	<p><b>FORM N - GENERAL PURPOSE MOTOR - DRIP PROOF - SOLID OR RESIL</b></p> <p><b>BASE - BALL OR SLEEVE BEARING - SPECIAL MOUNTING HOLES IN BASE</b></p>
APPLIED PRACTICES		QUALITY	SIZE DRAWING
DIMENSIONS ARE IN INCHES ✓		ISSUED	DURGA 12/16/04
MATERIAL		SOLID MODEL: 52A111269	
		SCALE: 0.003	REF. No: .
		SHEET 1 of 1	

52A111269 4