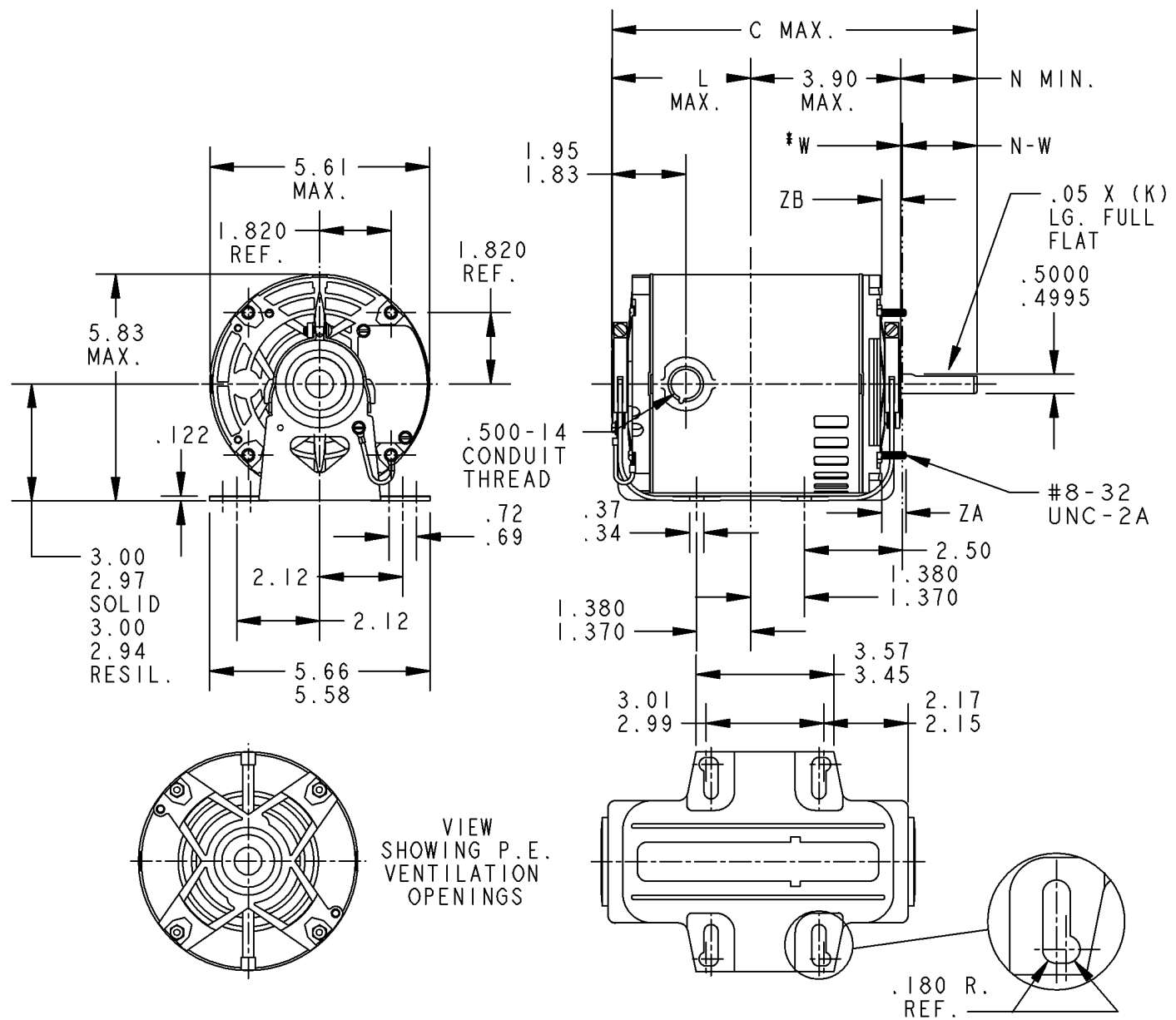


REV.		DESCRIPTION	DATE	APPROVED
4		UPDATED FORMAT	10/05/05	MAM

SHEET 1  
REV 4  
52A111268

SIZE DRAWING NO. A



W\* IS A CLEARANCE DUE TO VARIATION IN PARTS AND ASSEMBLY

I	KH	33	48Y	9.57	1.62	3.84	1.88	2.01/1.79	.55/.52	.76
P	TYPE	GE SIZE	NEMA FR	C	K	L	N	N-W	ZB	ZA

SIGNATURES		DATE
MODEL	DURGA	12/15/04
DETAIL	.	.
CHECKED	.	.
ENGRG	.	.
MFG	.	.
QUALITY	.	.
ISSUED	DURGA	12/15/04

FOR ADDITIONAL INFO REFER TO:  
APPLIED PRACTICES  
DIMENSIONS ARE IN INCHES ✓  
MATERIAL SOLID MODEL: 52A111268

**REGAL-BELOIT CORPORATION**

TITLE **OUTLINE**

**FORM N - GENERAL PURPOSE MOTOR - DRIP PROOF**

**RESIL. BASE - BALL BEARING**

SIZE DRAWING	<b>A</b>	<b>52A111268</b>	REV <b>4</b>
SCALE: 1.000	REF. No: .	SHEET 1 of 1	

