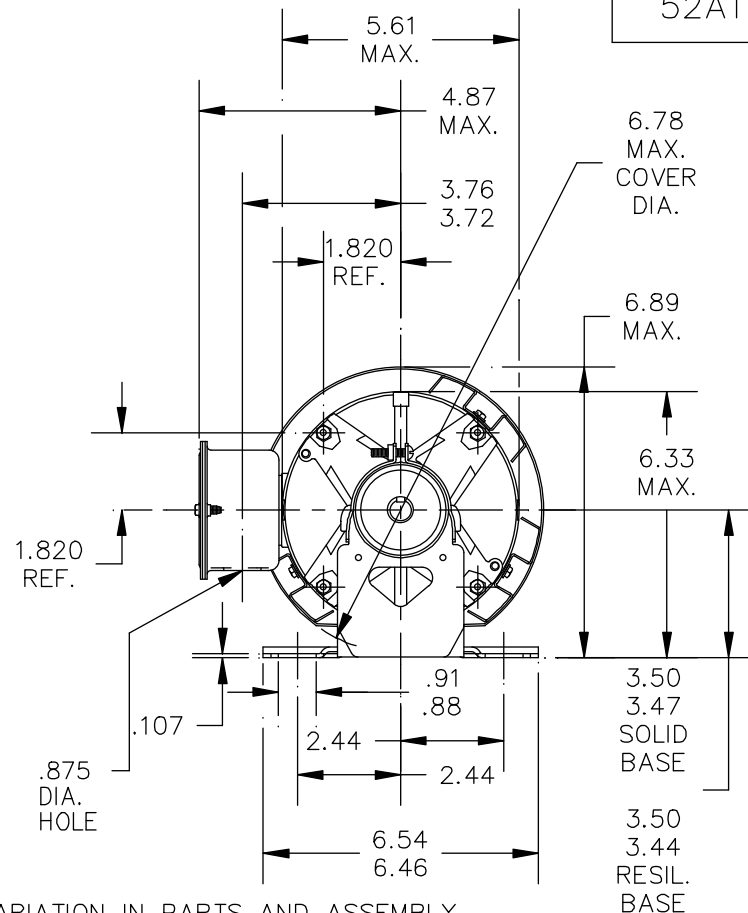
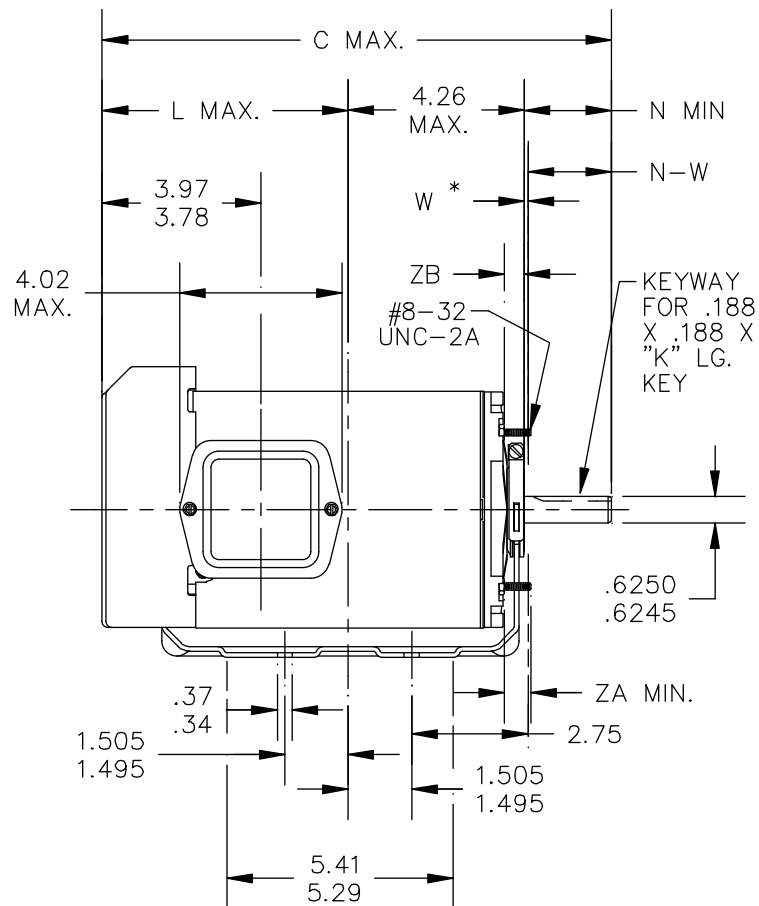


52A102363



W* IS A CLEARANCE DUE TO VARIATION IN PARTS AND ASSEMBLY

5	KH	37	56	11.76	5.58	1.88	1.38	2.01/1.79	.62	.55/.52											
4	KH	36	56	11.36	5.18	1.88	1.38	2.01/1.79	.62	.55/.52											
3	KH	35	56	10.93	4.75	1.88	1.38	2.01/1.79	.62	.55/.52											
2	KH	33	56	10.55	4.37	1.88	1.38	2.01/1.79	.62	.55/.52											
1	KH	32	56	10.30	4.12	1.88	1.38	2.01/1.79	.62	.55/.52	6	KH	38	56	12.36	6.18	1.88	1.38	2.01/1.79	.62	.55/.52
P	TYPE	RBC SIZE	NEMA FR.	C	L	N	K	N-W	ZA	ZB	P	TYPE	RBC SIZE	NEMA FR.	C	L	N	K	N-W	ZA	ZB

TOLERANCES UNLESS SPECIFIED

DEC. INCHES

.X ±0.1

.XX ±0.02

.XXX ±0.005

.XXXX ±0.0005

ANG ±1.0



REGAL-BELOIT CORPORATION

DRAWN F.P.K 07/07/77

CHK

APPD A.A.U 04/10/96

SCALE 1=1

REF

FMF

PREV

7 REDRAWN IN DRAFT SIGHT - NO CHANGES.

GR 10/20/12

PKG

.XX ±0.02

TITLE

OUTLINE

6 CHG MADE AS PER ISO5-2771

GD 10/26/05

.XXX

±0.005

MAT'L.

TOTALLY ENCLOSED OUTBOARD FAN - SOLID OR RESILIENT BASE

5 REDRAWN BY 2M SOFTWARE CO.

AAU 04/10/96

.XXXX

±0.0005

FINISH

NO. REVISION

BY & DATE

CHK

ANG ±1.0

FINISH

THIS DRAWING IN DESIGN AND DETAIL IS OUR PROPERTY AND MUST NOT BE USED EXCEPT IN CONNECTION WITH OUR WORK ALL RIGHTS OF DESIGN AND INVENTION ARE RESERVED THIS IS AN ELECTRONICALLY GENERATED DOCUMENT - DO NOT SCALE THIS PRINT

RFP

CAD FILE

52A102363

SIZE

A

DRAWING NO.

52A102363

REV.

7