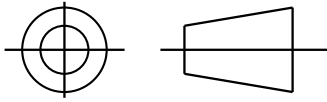




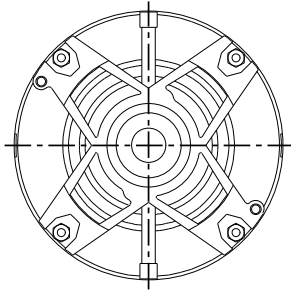
THIRD ANGLE PROJECTION



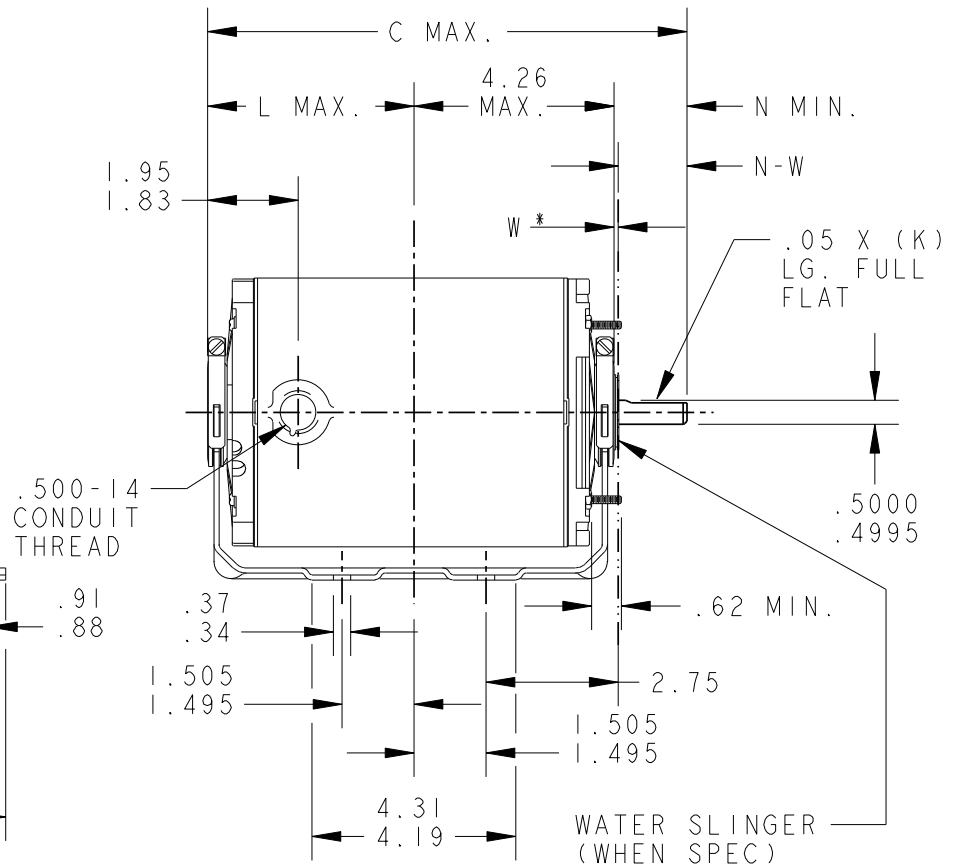
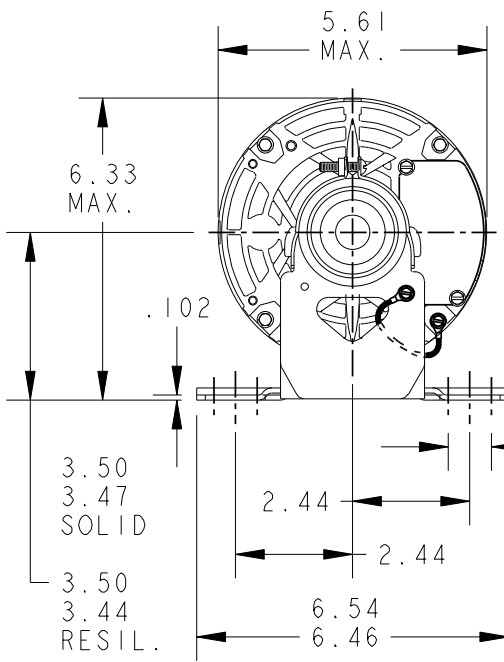
REVISIONS

REV.	DESCRIPTION	DATE	APPROVED
2	REDRAWN WITHOUT CHANGE	04/27/92	BLJ
3	REDRAWN BY 2M SOFTWARE CO.	03/05/95	CCP
4	CHG TO RBC FORMAT PER IS05-1777	02/15/06	ARCHANA

52A106994 4



VIEW SHOWING P.E. VENTILATION OPENINGS



I	KH	36	56Z	9.99	1.16	4.23	1.50	1.63/1.41	.55/.52
P	TYPE	GE SIZE	NEMA FR	C	K	L	N	N-W	ZB

W\* IS A CLEARANCE DUE TO VARIATION IN PARTS AND ASSEMBLY.

SIGNATURES		DATE
MODEL	M. A. M.	01/20/90
DETAIL	.	.
CHECKED	.	.
ENGRG	.	.
MFG	.	.
QUALITY	.	.
ISSUED	C. C. P.	03/05/95
SOLID MODEL: 52A106994		



REGAL-BELOIT CORPORATION

TITLE  
**OUTLINE**  
**FORM N - GENERAL PURPOSE MOTOR - DRIP**  
**PROOF - RESIL. BASE - SLEEVE BEARING FMF 5KH39QN9697AT**

SIZE	DRAWING	REV
A		4
SCALE: 1.000	REF. No: .	SHEET 1 of 1

52A106994 4