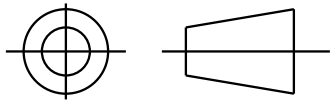


SHEET  
REV  
4

52A106925

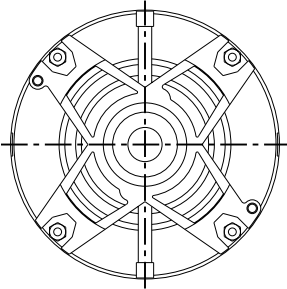
SIZE DRAWING NO.  
A

THIRD ANGLE PROJECTION



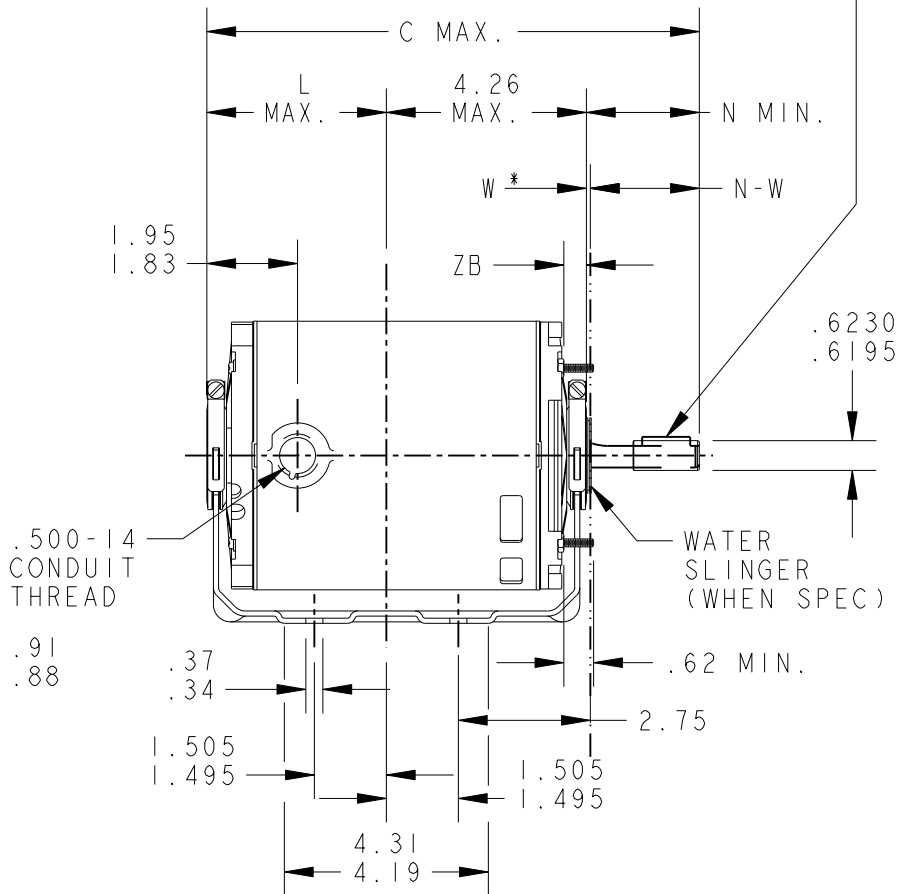
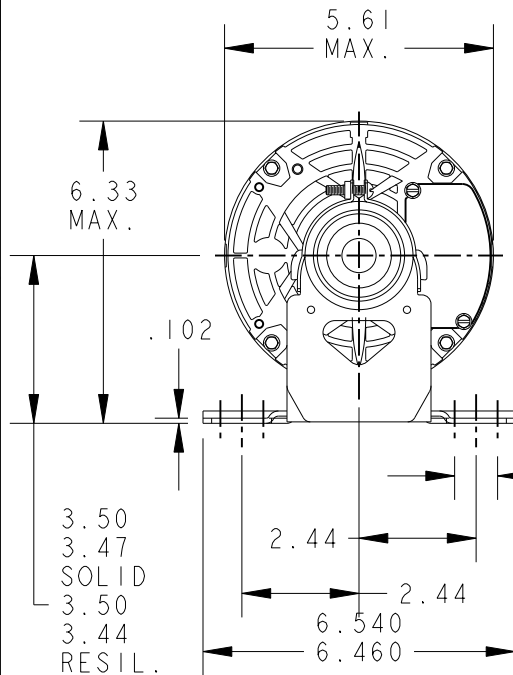
REVISIONS

REV.	DESCRIPTION	DATE	APPROVED
3	REDRAWN BY 2M SOFTWARE CO.	02/09/95	CCP
4	CHG TO RBC FORMAT PER ISO5-1777	02/14/06	DURGA




VIEW SHOWING P.E. VENTILATION OPENINGS

.188 X .188 X 1.00 LG. KEY



W \* IS A CLEARANCE DUE TO VARIATION IN PARTS AND ASSEMBLY.

I	KH	35	56Z	10.26	3.80	2.25	2.38/2.16	.55/.52
P	TYPE	GE SIZE	NEMA FR	C	L	N	N-W	ZB

FOR ADDITIONAL INFO REFER TO: APPLIED PRACTICES DIMENSIONS ARE IN INCHES ✓ MATERIAL	SIGNATURES		DATE	 <p><b>REGAL-BELOIT CORPORATION</b></p> <p>TITLE <b>OUTLINE</b></p> <p><b>FORM N - GENERAL PURPOSE MOTOR - DRIP PROOF</b></p> <p><b>SOLID OR RESIL BASE - BALL OR SLEEVE BEARING-FMF: 5KH35JN3132T</b></p>
	MODEL R.L.BONTA		03/17/89	
	DETAIL		.	
	CHECKED		.	
	ENGRG		.	
MFG		.	.	
QUALITY		.	.	
ISSUED C.C.P.		02/09/95	.	
SOLID MODEL: 52A106925		SCALE: 1.000		REF. No: .

52A106925 REV 4

SHEET 1 of 1