

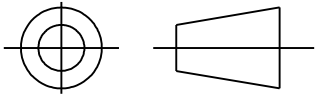
SHEET

REV

52A113086 1

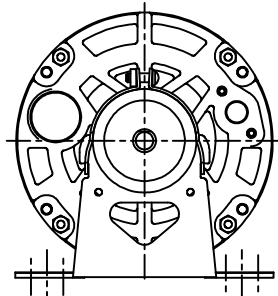
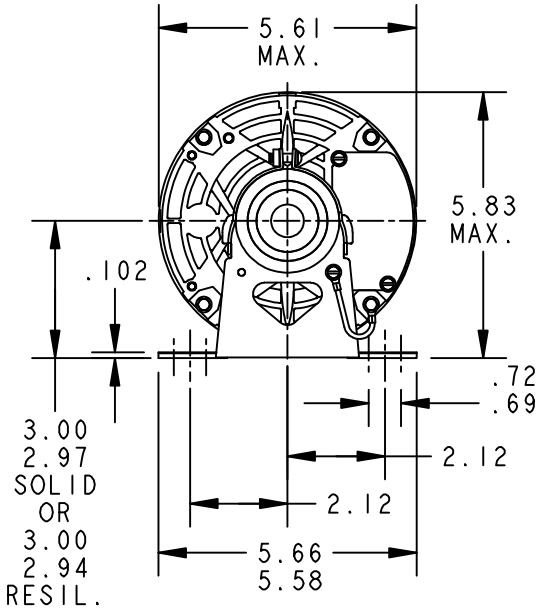
SIZE DRAWING NO. A

THIRD ANGLE PROJECTION

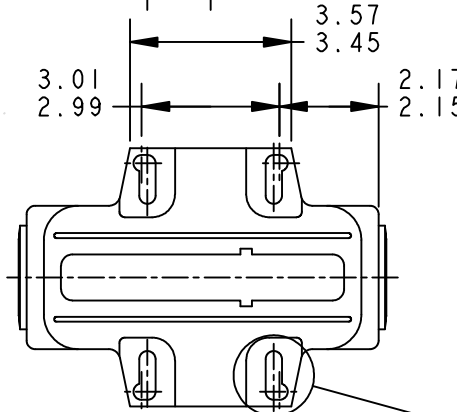
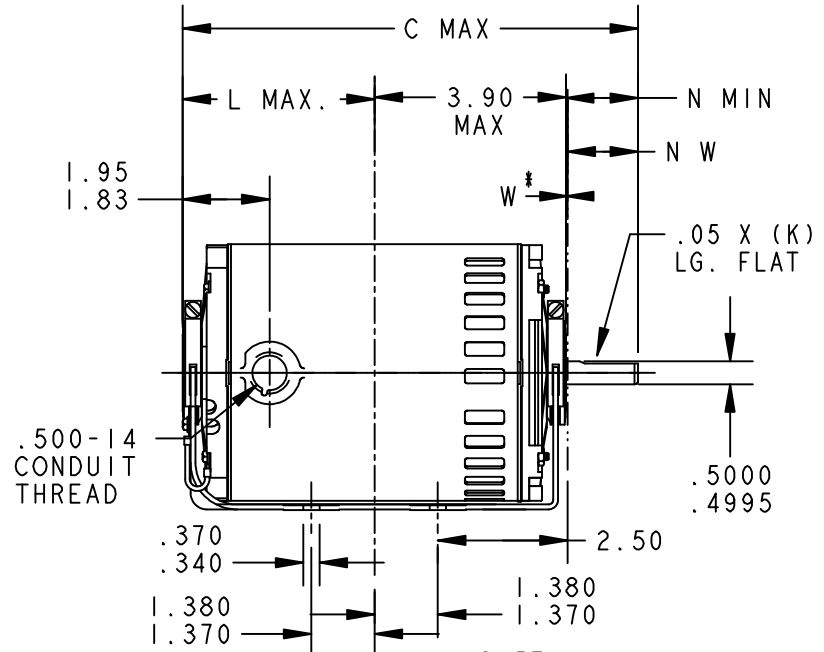


REVISIONS

| REV. | DESCRIPTION | DATE | APPROVED |
|------|----------------------------|----------|----------|
| 01 | 33 WAS 32 AS PER IS10-2231 | 10/01/10 | PN |



VIEW SHOWING P.E. VENTILATION OPENINGS




.180 R. REF.

W* IS A CLEARANCE DUE TO VARIATION IN PARTS AND ASSEMBLY.

| | | | | | | | | |
|---|------|---------|---------|------|------|------|------|-----------|
| 2 | K KH | 33 | 48Y | 9.10 | 1.16 | 3.84 | 1.50 | 1.63/1.41 |
| 1 | K KH | 36 | 48Y | 9.91 | 1.16 | 4.65 | 1.50 | 1.63/1.41 |
| P | TYPE | GE SIZE | NEMA FR | C | K | L | N | N-W |

| SIGNATURES | | DATE |
|------------------------|--------|----------|
| MODEL | PN | 08/26/10 |
| DETAIL | . | . |
| CHECKED | . | . |
| ENGRG | . | . |
| MFG | . | . |
| QUALITY | . | . |
| ISSUED | VENKAT | 08/26/10 |
| SOLID MODEL: 52A113086 | | |



REGAL-BELOIT CORPORATION

TITLE

OUTLINE

FORM N - GENERAL PURPOSE MOTOR - DRIP PROOF - RESIL. BASE

-BALL OR SLEEVE BEARING - SPECIAL MOUNTING HOLES IN BASE

SIZE DRAWING

52A113086

SCALE: 0.250 REF. No: . SHEET 1 of 1