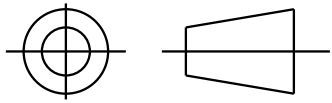


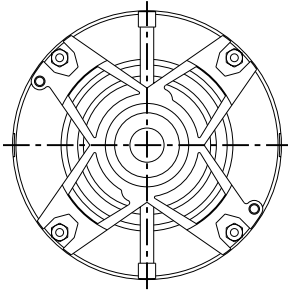
SHEET 1
REV 5
52A106942
SIZE DRAWING NO. A

THIRD ANGLE PROJECTION

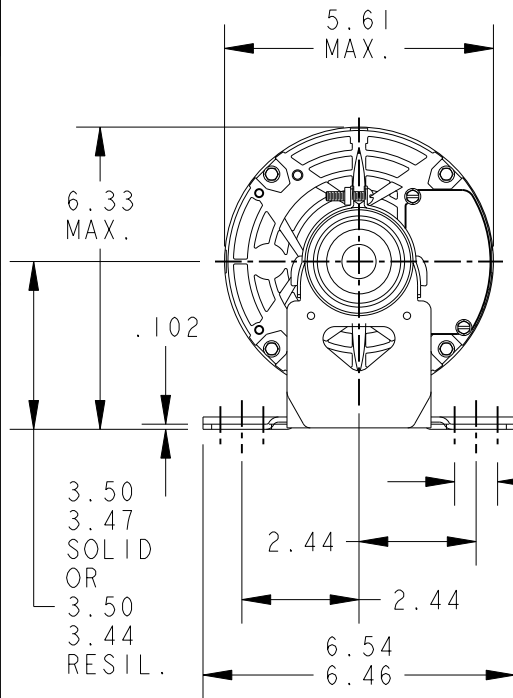


REVISIONS

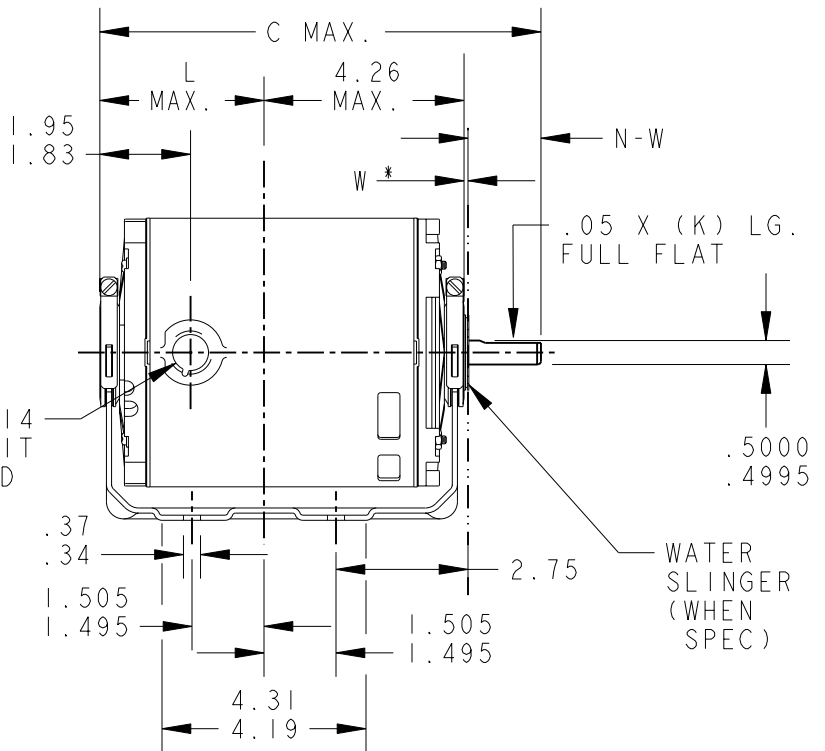
REV.	DESCRIPTION	DATE	APPROVED
3	CHGD. TO BALL/SLV BRG. IN TITLE	03/10/94	M.D.PAPE
4	REDRAWN BY 2M SOFTWARE CO.	02/10/95	CCP
5	CHG TO RBC FORMAT PER ISO5-1777	02/15/06	SUDHA



VIEW SHOWING P.E. VENTILATION OPENINGS




.500-14 CONDUIT THREAD



W * IS A CLEARANCE DUE TO VARIATION IN PARTS AND ASSEMBLY.

I	KH	33	56Z	9.19	1.16	3.48	1.50	1.63/1.41
P	TYPE	GE SIZE	NEMA FR	C	K	L	N	N-W

FOR ADDITIONAL INFO REFER TO: APPLIED PRACTICES DIMENSIONS ARE IN INCHES ✓ MATERIAL	SIGNATURES		DATE	 <p>REGAL-BELOIT CORPORATION</p> <p>TITLE</p> <p>OUTLINE</p> <p>FORM N - GENERAL PURPOSE MOTOR -</p> <p>DRIP PROOF - RESIL BASE - BALL/SLV BEARING FMF: 5KH39QN5523</p>
	MODEL		M.A.M. 05/10/89	
	DETAIL		.	
	CHECKED		.	
	ENGRG		.	
MFG		.	.	
QUALITY		.	.	
ISSUED		C.C.P.	02/10/95	
SCALE: 0.250		REF. No: .		
SIZE DRAWING		SHEET 1 of 1		

52A106942 REV 5