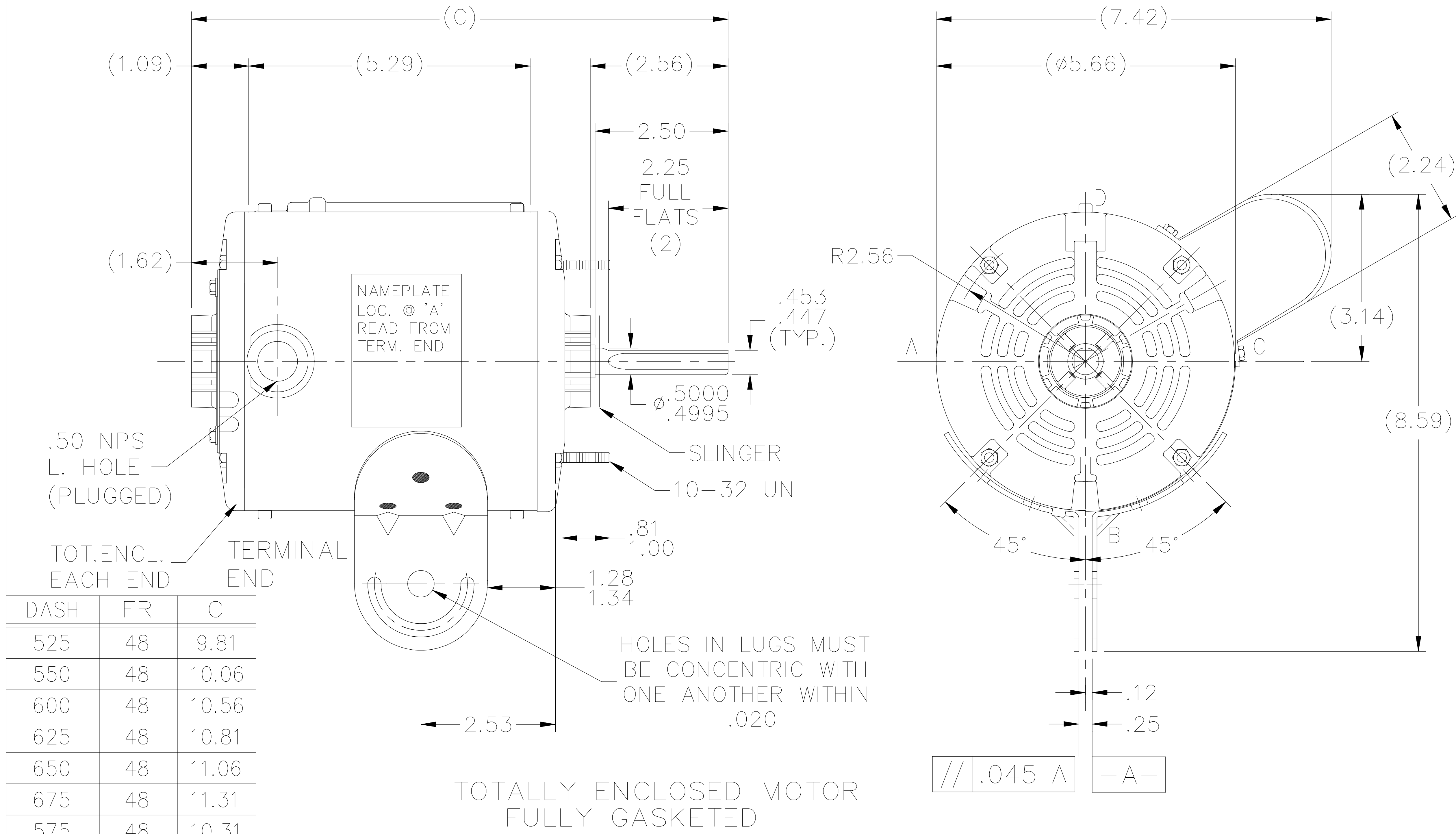


SS403014



NO.	REVISION	BY & DATE	CHK	TOLERANCES UNLESS SPECIFIED		REGAL™ Regal Beloit America, Inc.	DRAWN BJV 11-22-1999	
				DEC.	INCHES			
4	ADDED DASH 575	MVG 02/21/18	SM	.X	±.1	TITLE OUTLINE 48 FR.	CHK ML 11-23-1999	
3	REDRAWN IN AUTOCAD	TAT 10-15-2004	ML	.XX	±.03		APPD SAT 11-24-1999	
2	ROT. CAP. 60° & ADD'D DRAIN HOLE PLUGS MU27937	NJS 11-03-2000		.XXX	±.005		SCALE 3=8	
1	NEW DRAWING MU27937	BJW 11-24-1999		.XXXX	±.0005		REF	
				ANG	±7'30"	MAT'L.	FMF	
			RFP			FINISH	PREV	
THIS DRAWING IN DESIGN AND DETAIL IS OUR PROPERTY AND MUST NOT BE USED EXCEPT IN CONNECTION WITH OUR WORK ALL RIGHTS OF DESIGN AND INVENTION ARE RESERVED THIS IS AN ELECTRONICALLY GENERATED DOCUMENT - DO NOT SCALE THIS PRINT				CAD FILE ss403014		SIZE A	DRAWING NO. SS403014	PAGE OF 4
				DIST WP				REV. 4