

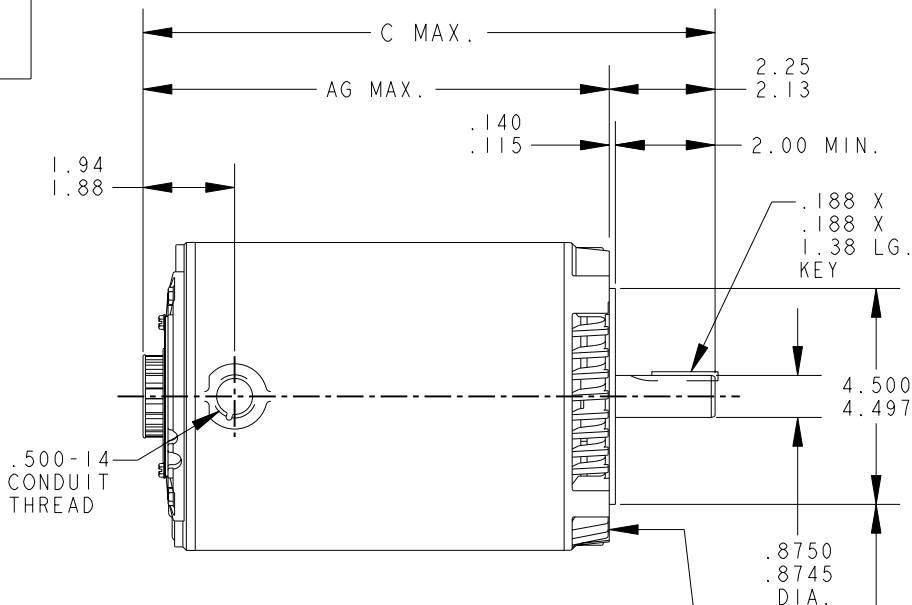
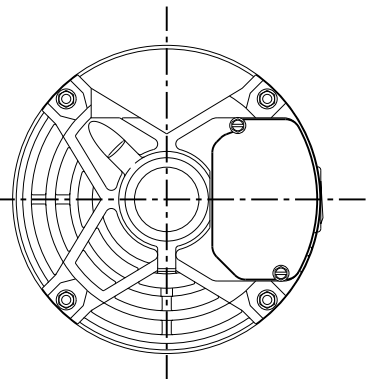
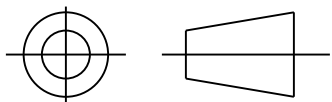
RBC PROPRIETARY AND CONFIDENTIAL INFORMATION

This document is the property of Regal Beloit Corporation ("RBC") including its subsidiaries and divisions and contains proprietary information of RBC. This document is loaned on the express condition that neither it nor the information contained therein shall be disclosed to others without the express written consent of RBC Motors, and that the information shall be used by the recipient only as approved expressly by RBC Motors. This document shall be returned to RBC upon its request. This document may be subject to certain restrictions under U.S. export control laws and regulations.

REVISIONS

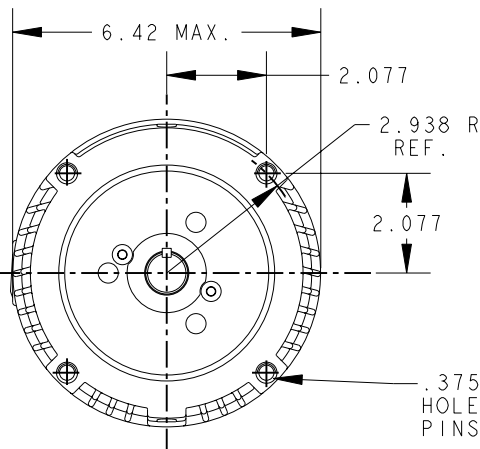
REV	DESCRIPTION	DATE	APPROVED
1	ADDED PART #2 PER IS05-1740	07/20/05	PRAVEEN.K

THIRD ANGLE PROJECTION



FACE RUNOUT (WITH INDICATOR MOUNTED STATIONARY RELATIVE TO SHAFT) MUST NOT EXCEED .004 T.I.R.

ECCENTRICITY OF THIS SURFACE (WITH INDICATOR MOUNTED STATIONARY RELATIVE TO SHAFT) MUST NOT EXCEED .004 T.I.R.



VIEW OF P.E. END SHIELD

2	K	49	145TC	11.95	9.85	7.68
1	K	46	143TC	10.82	8.72	6.55
P	TYPE	GE SIZE	NEMA FR	C	AG	MIN. SHELL

UNLESS OTHERWISE SPECIFIED	SIGNATURES	DATE
DIMENSIONS ARE IN INCHES TOLERANCES ON: 2 PL DECIMALS ± 3 PL DECIMALS ± ANGLES ± FRACTIONS ±	DRAWN PRAVEEN.K	07/08/05
	CHECKED	
	ENGRG	
	ISSUED DEBRAJ	07/08/05
MATERIAL:		
APPLIED PRACTICES:	FILE - 0-106C	



REGAL-BELOIT CORPORATION

TITLE
OUTLINE
 FMF: 40 FR. REDESIGN - GENERAL PURPOSE MOTOR -
 DRIP PROOF - BALL BEARING - R2 END MOUNTED

SIZE A	FSCM NO 0125	DWG NO 52A111670
SCALE .25:1	SHEET 1 OF 1	

DISTR TO F114,B201,J10,J11,J12