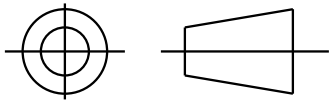


SHEET
REV
5

52A107022

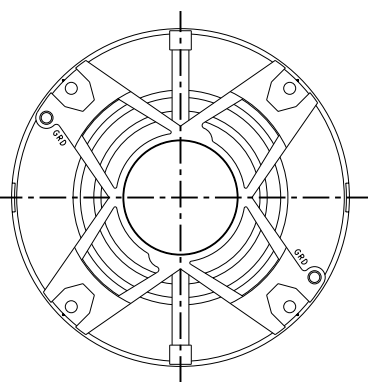
SIZE DRAWING NO.
A

THIRD ANGLE PROJECTION

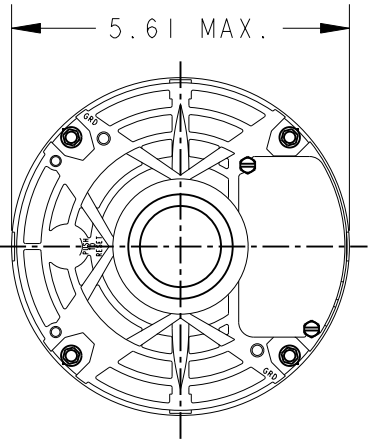


REVISIONS

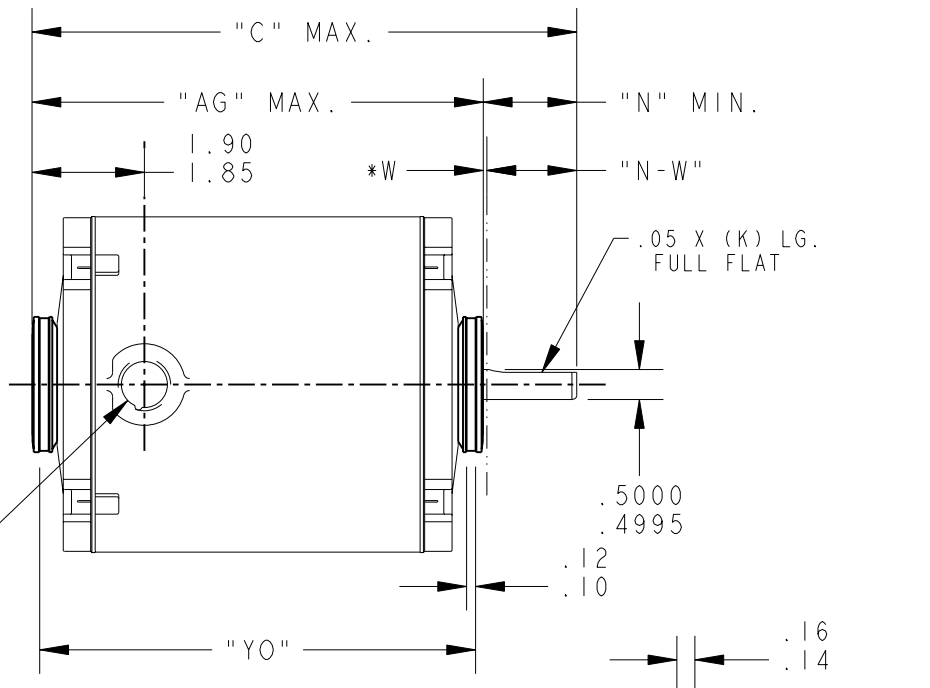
REV.	DESCRIPTION	DATE	APPROVED
3	CHANGES PER TI95-21,651.	02/16/95	M.D.PAPE
4	ADDED PART #4.	05/08/04	DURGA
5	CHG TO RBC FORMAT PER IS05-1777	02/16/06	SUDHA



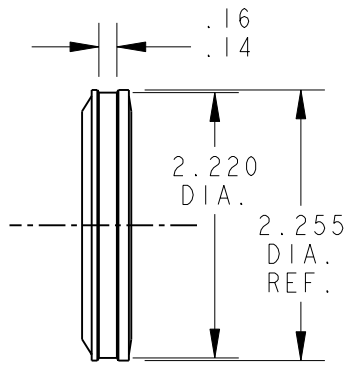
VIEW SHOWING P.E. VENTILATION OPENINGS



*W IS A VARIABLE CLEARANCE DUE TO VARIATIONS IN PARTS AND ASSEMBLY



4	KH	33	48Y	9.18	7.56	7.33 7.12	1.50	1.16	1.63/1.41	5.41
3	KH	37	48Y	10.39	8.77	8.54 8.33	1.50	1.16	1.63/1.41	6.62
2	KH	38	48Y	12.60	9.37	8.89 8.68	3.11	2.80	3.04/3.02	7.22
1	KH	32	48Y	8.93	7.31	7.08 6.87	1.50	1.16	1.63/1.41	5.16
P	TYPE	GE SIZE	NEMA FR	"C"	"AG"	"YO"	"N"	"K"	"N-W"	SHL. LGTH. REF.



SIGNATURES		DATE
MODEL	MAM	03/17/90
DETAIL	.	.
CHECKED	.	.
ENGRG	.	.
MFG	.	.
FOR ADDITIONAL INFO REFER TO:	QUALITY	.
APPLIED PRACTICES	ISSUED	MAM 03/17/90
DIMENSIONS ARE IN INCHES ✓	SOLID MODEL: 52A107022	



REGAL-BELOIT CORPORATION

TITLE	
OUTLINE DRIP PROOF - RESIL. RING - SLV./BALL BRG. 5KH39QN5550X	
SIZE	DRAWING
A	52A107022
SCALE: 0.313	REF. No: .
SHEET 1 of 1	

REV
5