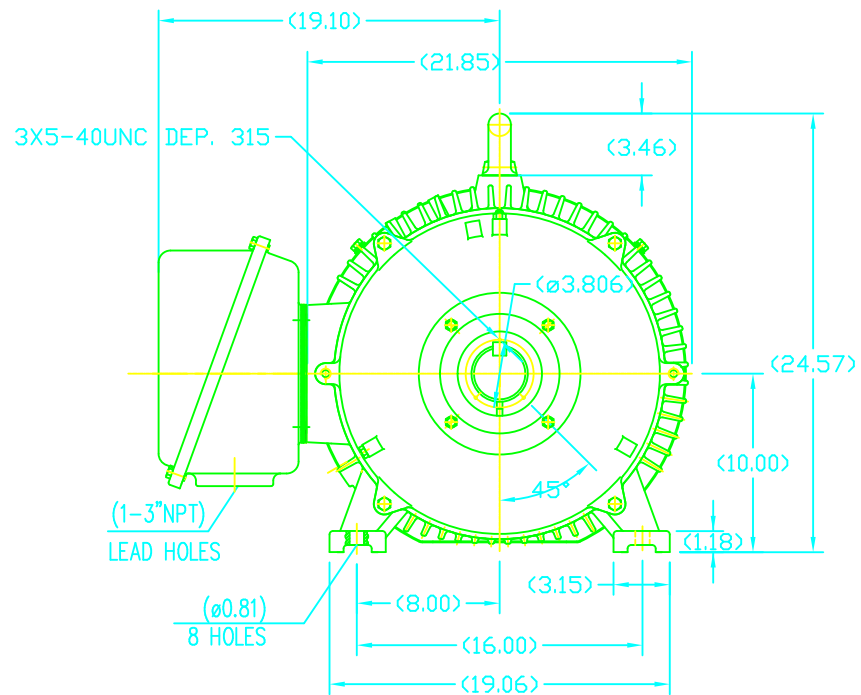
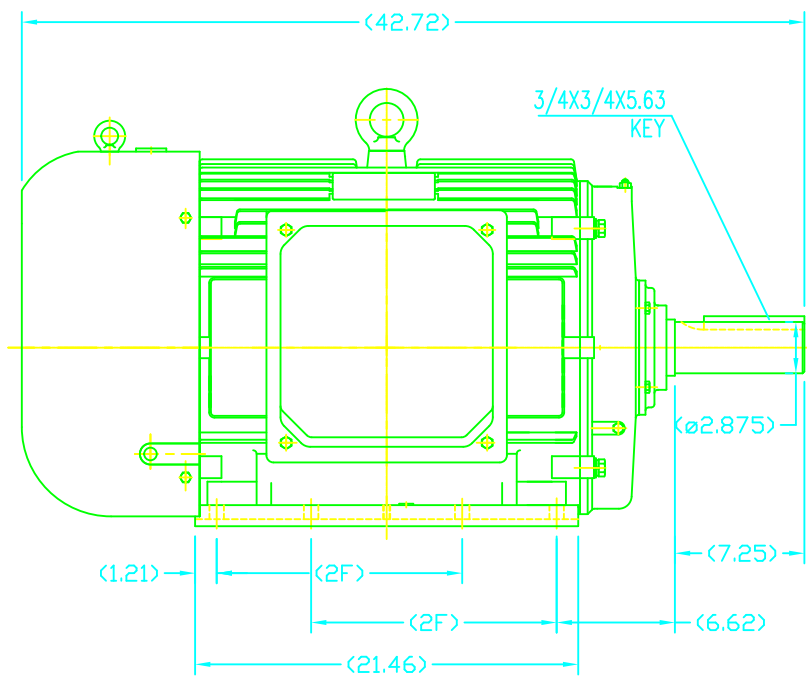


SS620676



404T	12.25
405T	13.75
FRAME	2F

		TOLERANCES UNLESS SPECIFIED		REGAL REGAL - BELOIT CORPORATION		DRAWN ZYH 12-02-2014	
		DEC.	INCHES			CHK HZJ 12-02-2014	
		X	±.1			APPD CL 12-02-2014	
		XX	±.03	TITLE		SCALE	
		XXX	±.005	OUTLINE 404/405T FR-TEFC		REF	
		XXXX	±.0005	CAST IRON severe duty		FMF Wuxi	
A	RELEASED FOR PRODUCTION ECD-0074303	WGJ	5/12/15	AB	MAT'L.	PREV	
NO.	REVISION	BY & DATE	CHK	ANG	FINISH	RFP	
THIS DRAWING IN DESIGN AND DETAIL IS OUR PROPERTY AND MUST NOT BE USED EXCEPT IN CONNECTION WITH OUR WORK ALL RIGHTS OF DESIGN AND INVENTION ARE RESERVED THIS IS AN ELECTRONICALLY GENERATED DOCUMENT - DO NOT SCALE THIS PRINT				CAD FILE		SIZE	DRAWING NO.
				DIST		B	SS620676
							REV. A