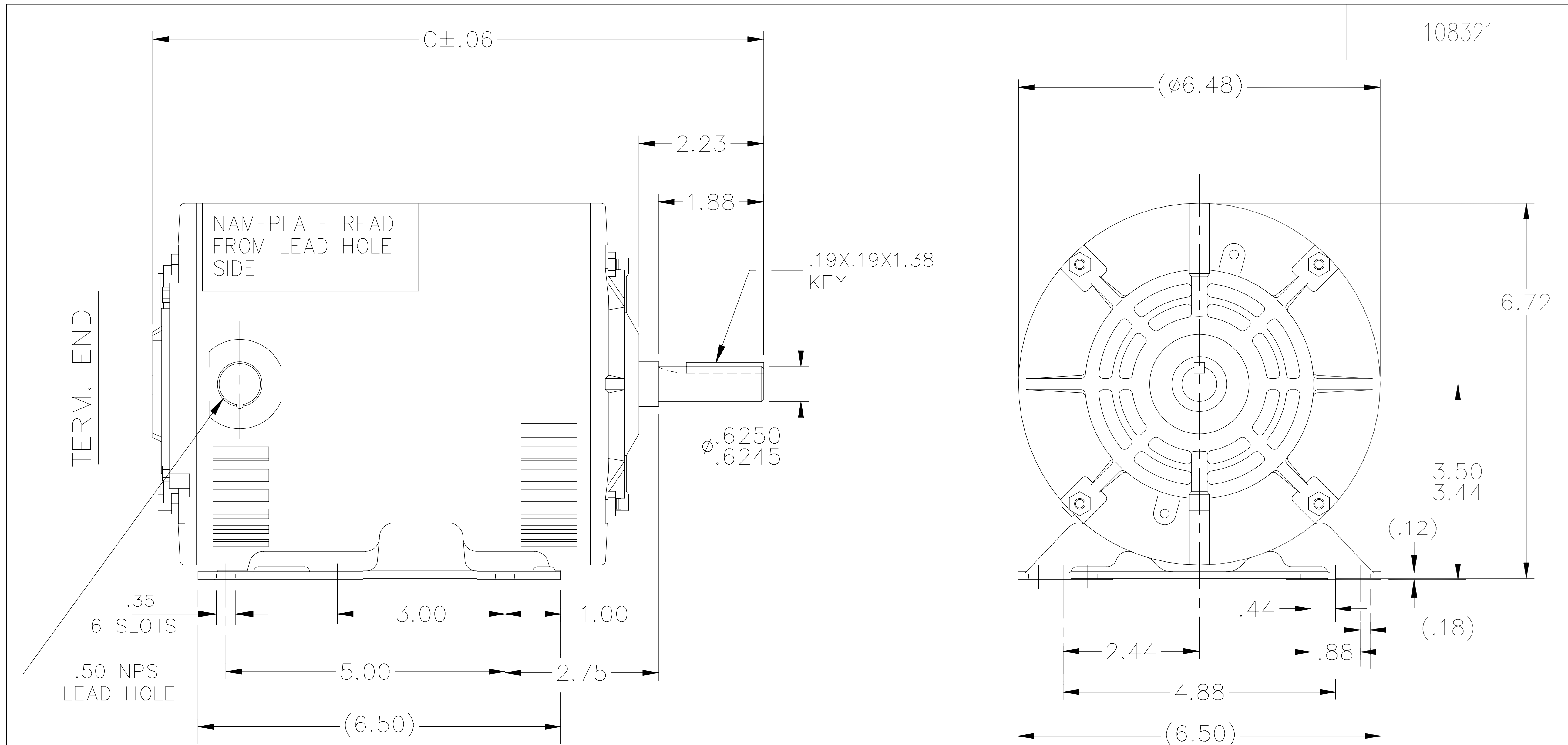


108321



DASH	C	DASH	C
656	10.44	856	12.44
706	10.94	906	12.94
756	11.44	956	13.44
806	11.94		

				TOLERANCES UNLESS SPECIFIED		REGAL ™ Regal Beloit America, Inc.	DRAWN SM 8/11/2015			
				DEC.	INCHES		CHK SM 8/11/2015	APPD SM 8/11/2015	SCALE 3=8	
				.X	±.1	TITLE OUTLINE 56H FR. - DR. PP. - BB - 3ø - 56H	REF 108249			
				.XX	±.03		FMF 056T17D15941			
				.XXX	±.005		PREV			
A	NEW DRAWING	SM 8/11/2015	SM	.XXXX	±.0005		MAT'L.			
NO.	REVISION	BY & DATE	CHK	ANG	±7'30"	FINISH				
THIS DRAWING IN DESIGN AND DETAIL IS OUR PROPERTY AND MUST NOT BE USED EXCEPT IN CONNECTION WITH OUR WORK ALL RIGHTS OF DESIGN AND INVENTION ARE RESERVED THIS IS AN ELECTRONICALLY GENERATED DOCUMENT - DO NOT SCALE THIS PRINT				RFP	CAD FILE 108321		SIZE	DRAWING NO.	PAGE OF	REV.
				DIST	WP		A	108321		A