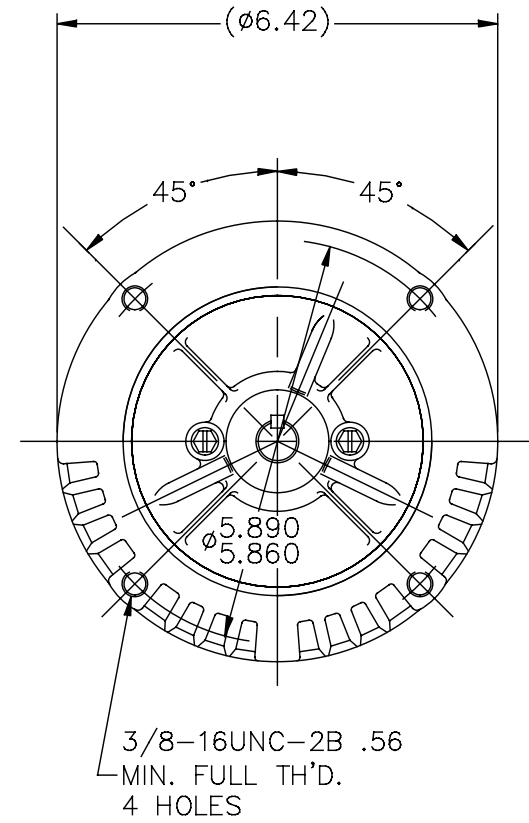
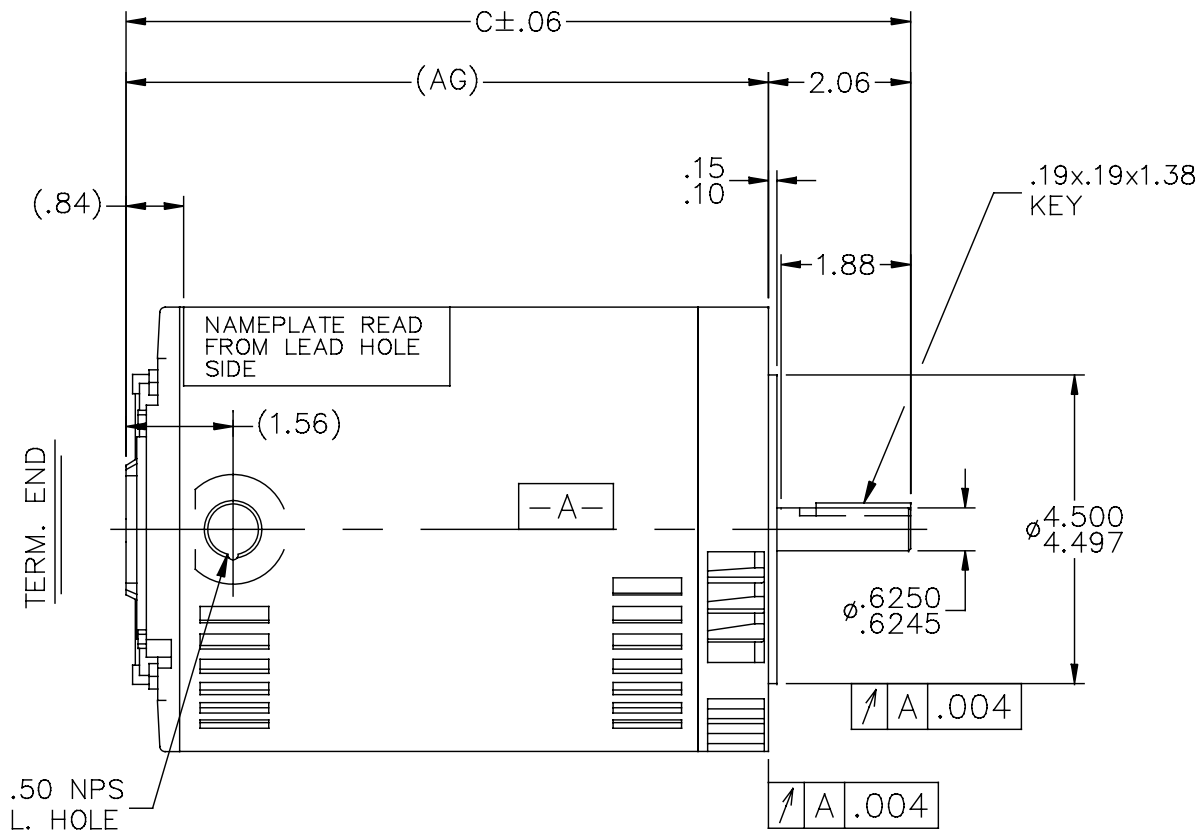


108251



DASH	C	AG		DASH	C	AG	
606	9.94	7.87		806	11.94	9.87	
656	10.44	8.37		856	12.44	10.37	
706	10.94	8.87		906	12.94	10.87	
756	11.44	9.37		956	13.44	11.37	

				TOLERANCES UNLESS SPECIFIED		Regal Beloit America, Inc.	DRAWN PVR 12/22/14	
				DEC.	INCHES		CHK SM 12/22/14	APPD
				.X	±.1	TITLE OUTLINE 56 FR. - BB - DR. PR. - 'C' FACE - 3ø	SCALE 3=8	
B	UPDATED KEY WAY VIEW TO END MILL KEYWAY		SM 11/12/2015	SM .XXX	±.005		REF	
A	NEW DRAWING		PVR 12/22/2014	SM .XXXX	±.0005	MAT'L	FMF	
NO.	REVISION		BY & DATE	CHK ANG	±7'30"	FINISH	PREV	
THIS DRAWING IN DESIGN AND DETAIL IS OUR PROPERTY AND MUST NOT BE USED EXCEPT IN CONNECTION WITH OUR WORK ALL RIGHTS OF DESIGN AND INVENTION ARE RESERVED THIS IS AN ELECTRONICALLY GENERATED DOCUMENT - DO NOT SCALE THIS PRINT				RFP	CAD FILE 108251	SIZE A	DRAWING NO. 108251	PAGE OF B
				DIST WP				