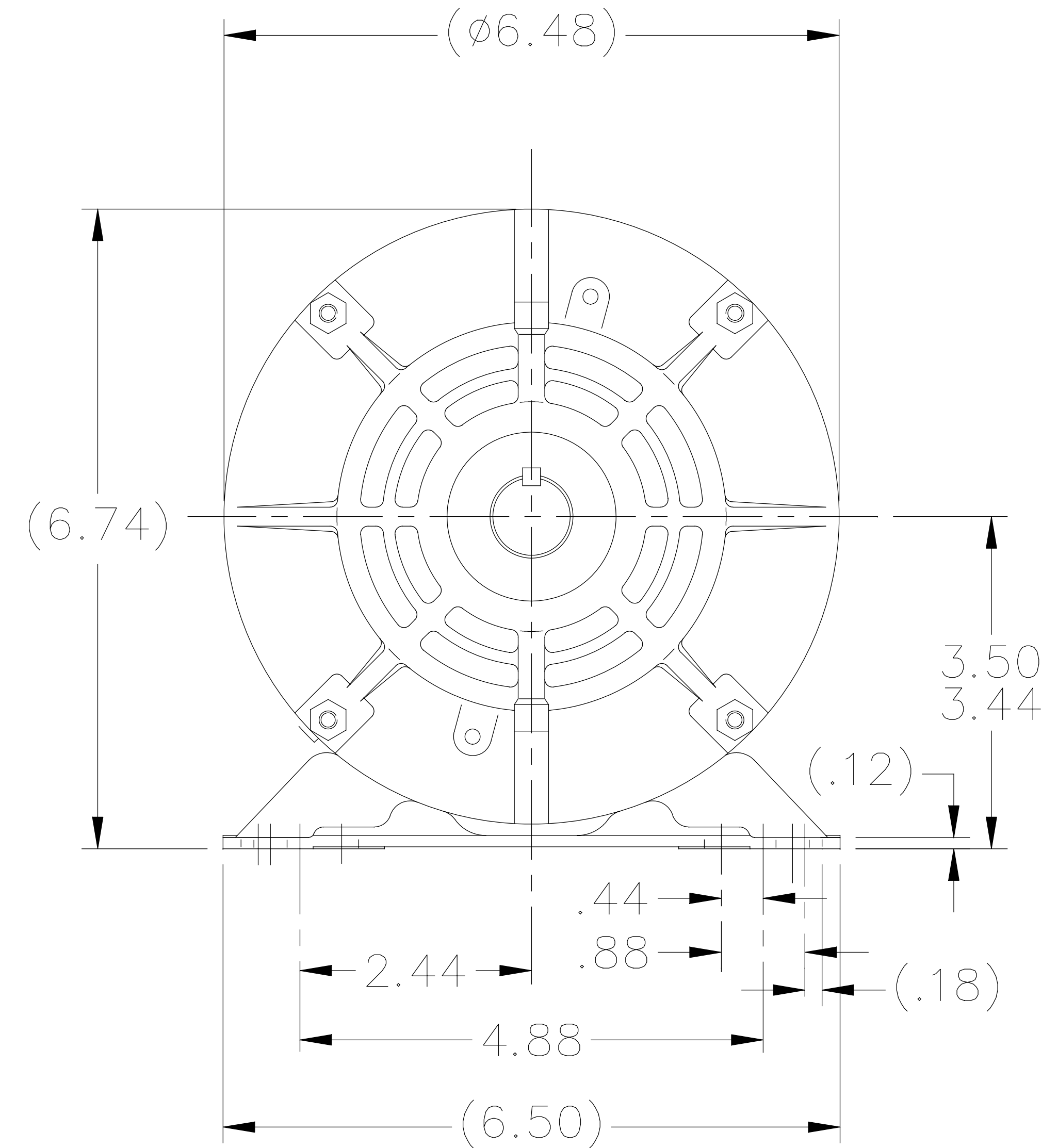
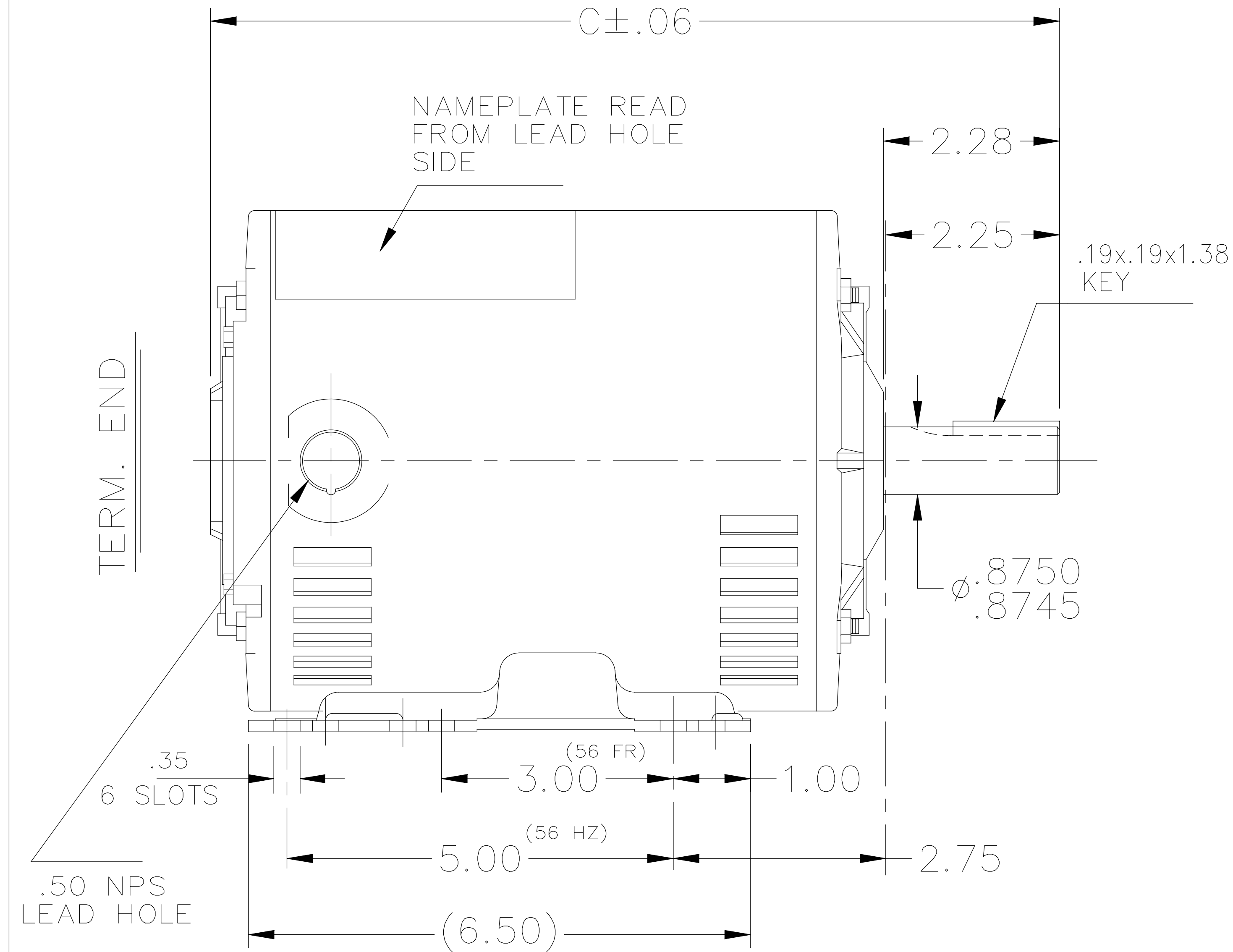


100299



DASH	FR.	C			DASH	FR.	C		
					856	56-85	12.49		
706	56-70	10.99			906	"-90	12.99		
756	"-75	11.49			956	"-95	13.49		
806	"-80	11.99			1006	"-100	13.99		

TOLERANCES UNLESS SPECIFIED

DEC. INCHES

.X ±.1

.XX ±.02

2 UPDATED DRAWING TO MATCH ORACLE REV ECO-0122833 AP 4/28/17

.XXX ±.005

1 NEW DRAWING 3496323 GK 6/22/1988

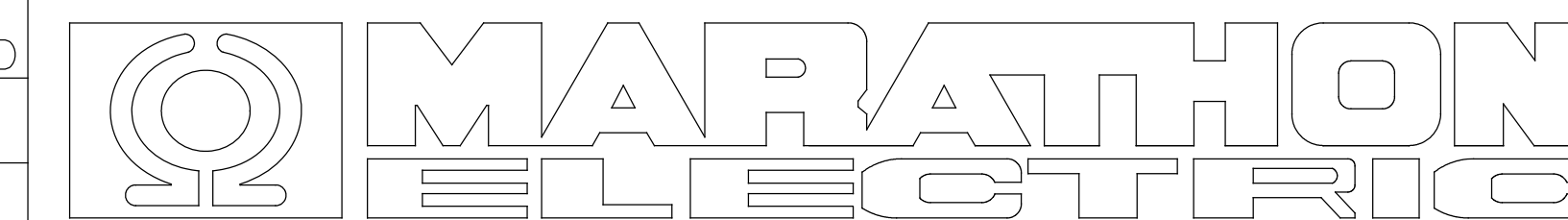
.XXXX ±.0005

NO. REVISION BY & DATE

CHK ANG ±7'30"

THIS DRAWING IN DESIGN AND DETAIL IS OUR PROPERTY AND MUST NOT BE USED EXCEPT IN CONNECTION WITH OUR WORK ALL RIGHTS OF DESIGN AND INVENTION ARE RESERVED THIS IS AN ELECTRONICALLY GENERATED DOCUMENT - DO NOT SCALE THIS PRINT

RFP



TITLE OUTLINE
140T - 56HZ DR.PR. - BB

MAT'L.

FINISH

DIST

CAD FILE 100299

SIZE

A

DRAWING NO.

100299

PAGE OF

3-8

REV.

2

DRAWN GK 6/22/1988

CHK ML 6/22/1988

APPD TH 6/24/1988

SCALE 3=8

REF

FMF

PREV