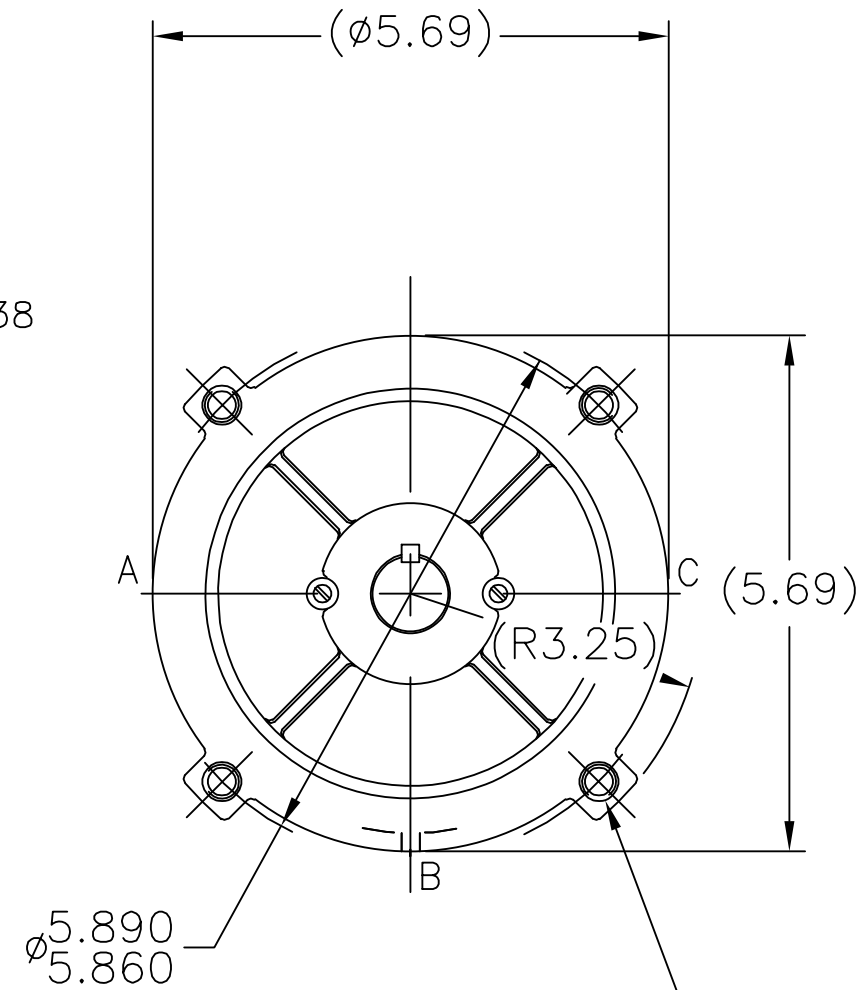
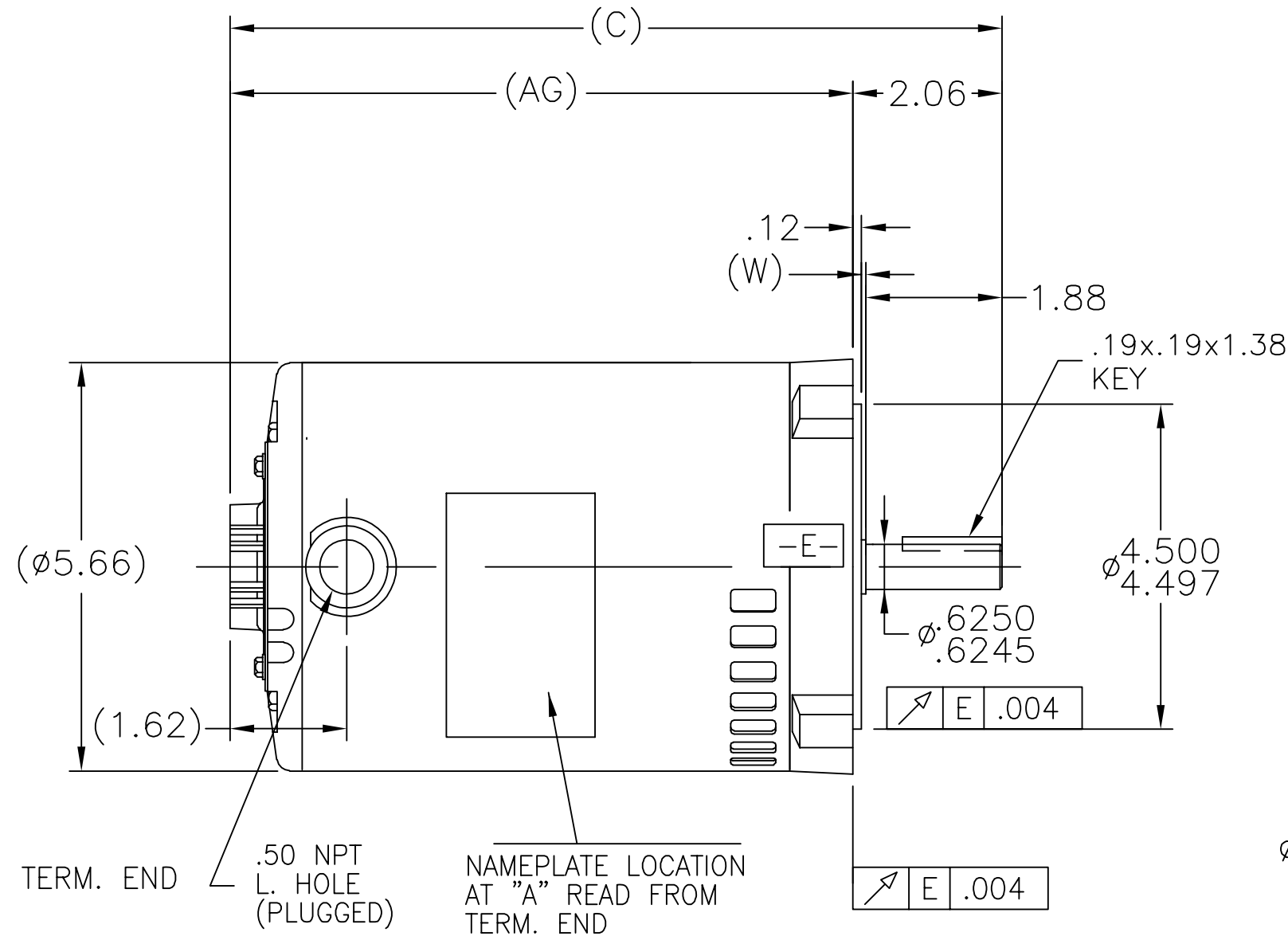


SS404135



3/8-16 UNC-2B
.56 MIN. FULL THD.
4 HOLES

'W' = CLEARANCE ALLOWED FOR ALL VARIANCES
IN MANUFACTURING & ASSEMBLY

DASH	C	AG		DASH	C	AG	
625	10.19	8.13		725	11.19	9.13	
650	10.44	8.38		750	11.44	9.38	
675	10.69	8.63		775	11.69	9.63	
700	10.94	8.88		800	11.94	9.88	

TOLERANCES
UNLESS SPECIFIED

DEC.	INCHES
.X	±.1
.XX	±.03
.XXX	±.005
.XXXX	±.0005
ANG	±7'30"



Regal Beloit America, Inc.

TITLE OUTLINE

MAT'L.

FINISH

DRAWN PVR 12/24/14

CHK SM 12/24/14

APPD

SCALE 3=8

REF SS404112

FMF

PREV

NO.	REVISION	BY & DATE	CHK

THIS DRAWING IN DESIGN AND DETAIL IS OUR PROPERTY AND MUST NOT BE USED EXCEPT
IN CONNECTION WITH OUR WORK ALL RIGHTS OF DESIGN AND INVENTION ARE RESERVED
THIS IS AN ELECTRONICALLY GENERATED DOCUMENT - DO NOT SCALE THIS PRINT

RFP
DIST WP

CAD FILE SS404135

SIZE
A

DRAWING NO. PAGE 1 OF 1
SS404135

REV.