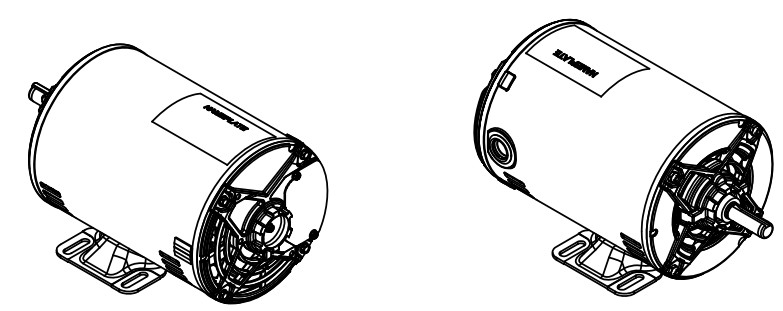
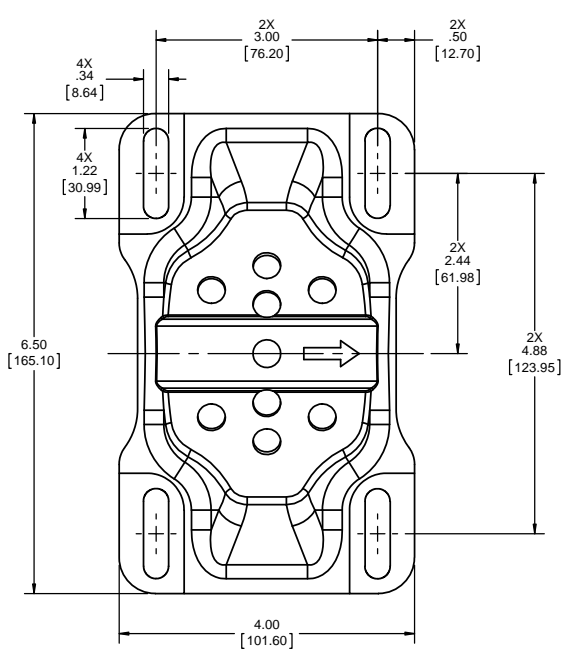


SECTION A-A



DRAWING REVISION B		REVISION BY D.VALENCIANO	DATE 02-08-2017	TOLERANCES UNLESS OTHERWISE SPECIFIED:		DRAWN BY R.ZAMARRON		Regal Beloit America, Inc.
ECO-0117615		APPROVED BY M.RAMIREZ	DATE 02-08-2017	DEC.	INCH	mm	ANGLE	
ECO DESCRIPTION WAS CORRECTED THE MOTOR ASSY				.X	±0.1	[±2.5]	±0.5°	APPROVED BY J.ORTEGA
COPYRIGHT REGAL BELOIT AMERICA, INC. ALL RIGHTS RESERVED. PROPRIETARY AND CONFIDENTIAL INFORMATION - THIS DOCUMENT IS THE PROPERTY OF REGAL BELOIT AMERICA, INC. FORMERLY AND CONTAINS OWNER'S PROPRIETARY INFORMATION. ANY PERSON, CORPORATION OR OTHER FIRM RECEIVING IT IS DEEMED, BY RECEIVING IT, TO AGREE THAT IT, AND/OR ANY PART OF IT, SHALL NOT BE DISCLOSED TO ANY PERSON, CORPORATION OR OTHER ENTITY, DUPLICATED, AND/OR USED, EXCEPT AS EXPRESSLY APPROVED IN WRITING IN ADVANCE BY OWNER. THIS DOCUMENT SHALL BE RETURNED TO OWNER UPON REQUEST. IT MAY BE SUBJECT TO CERTAIN RESTRICTIONS UNDER APPLICABLE EXPORT CONTROL LAWS AND REGULATIONS.				.XXX	±0.005	[±0.127]		DATE 11-29-2016
				.XXXX	±0.0005	[±0.0127]		REFERENCE
				MACHINED SURFACES: 125 / 3.2				MATERIAL
				mm SHOWN IN [BRACKETS]				PROCESS FINISH
				THIRD ANGLE PROJECTION				SIZE
				DRAWING NUMBER				DESCRIPTION
				C				OUTLINE
				OL56100205-001				56FR,ODP,3-PHASE,RIGID
				SHEET				1 OF 1