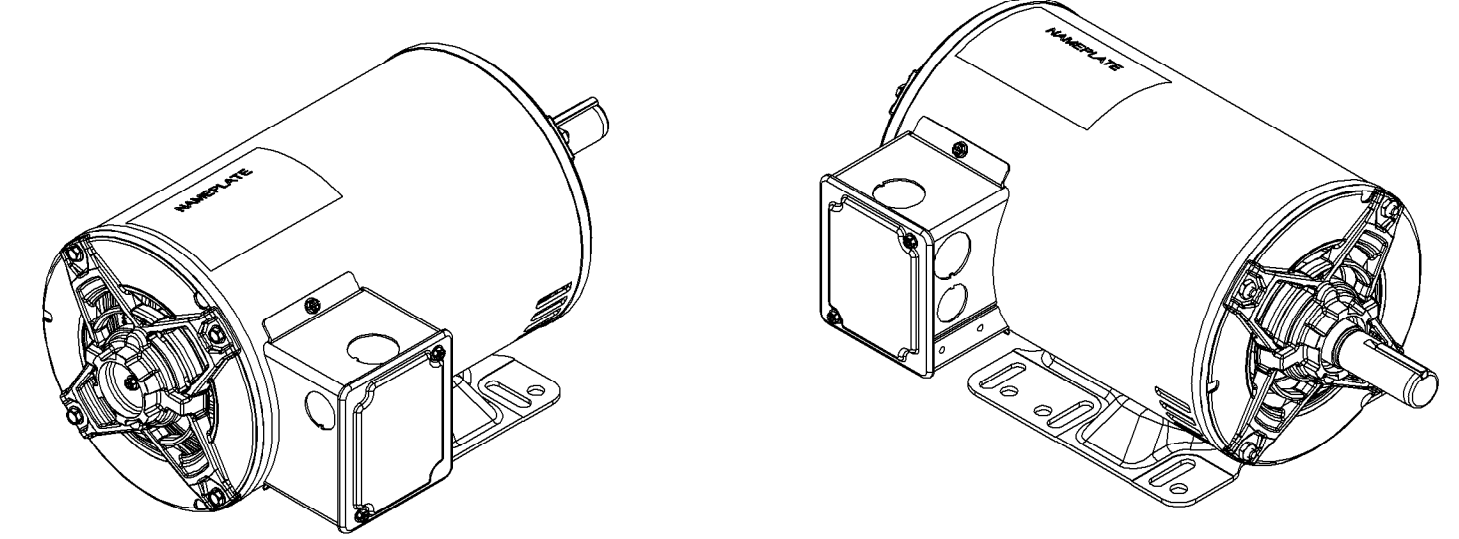
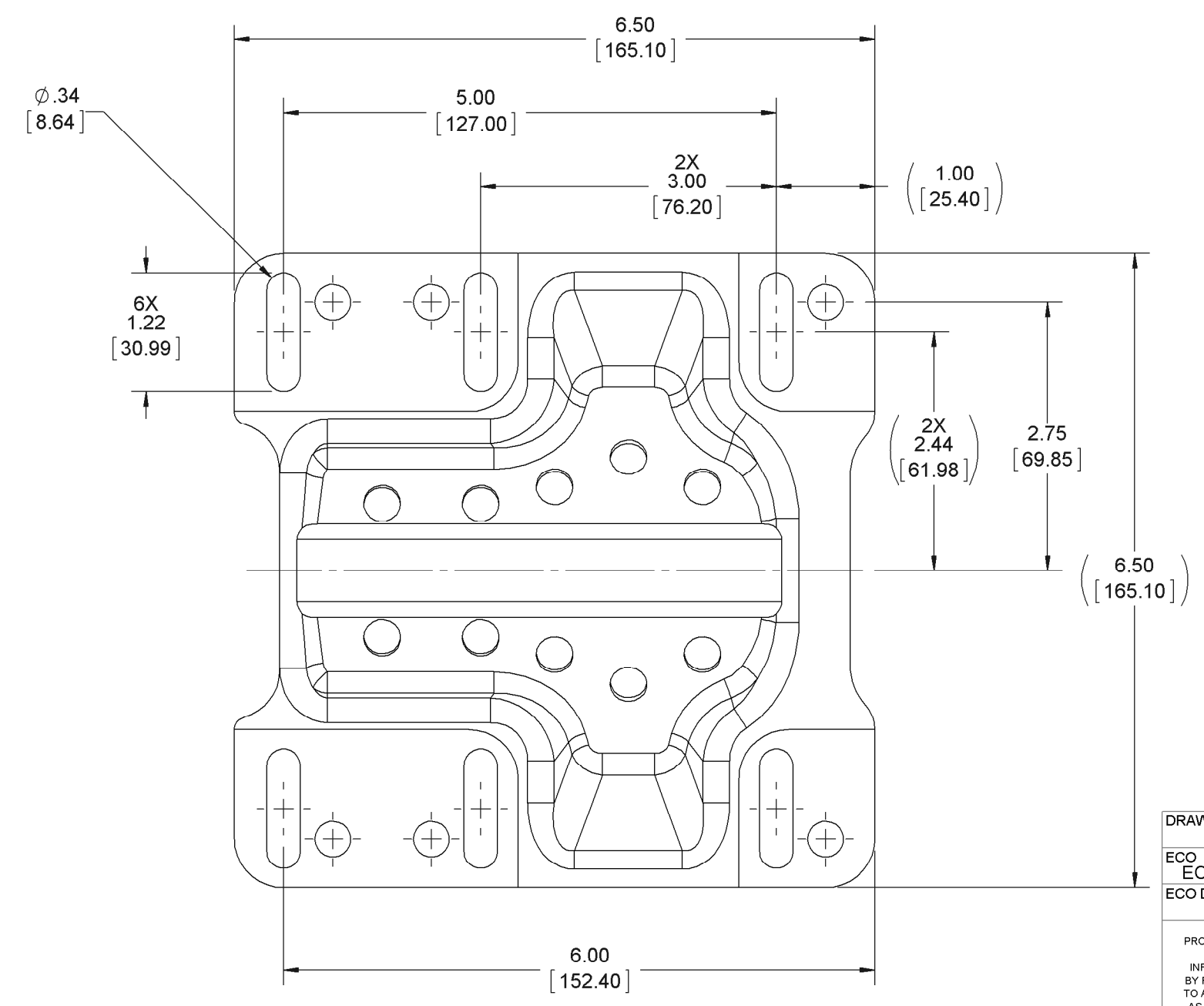
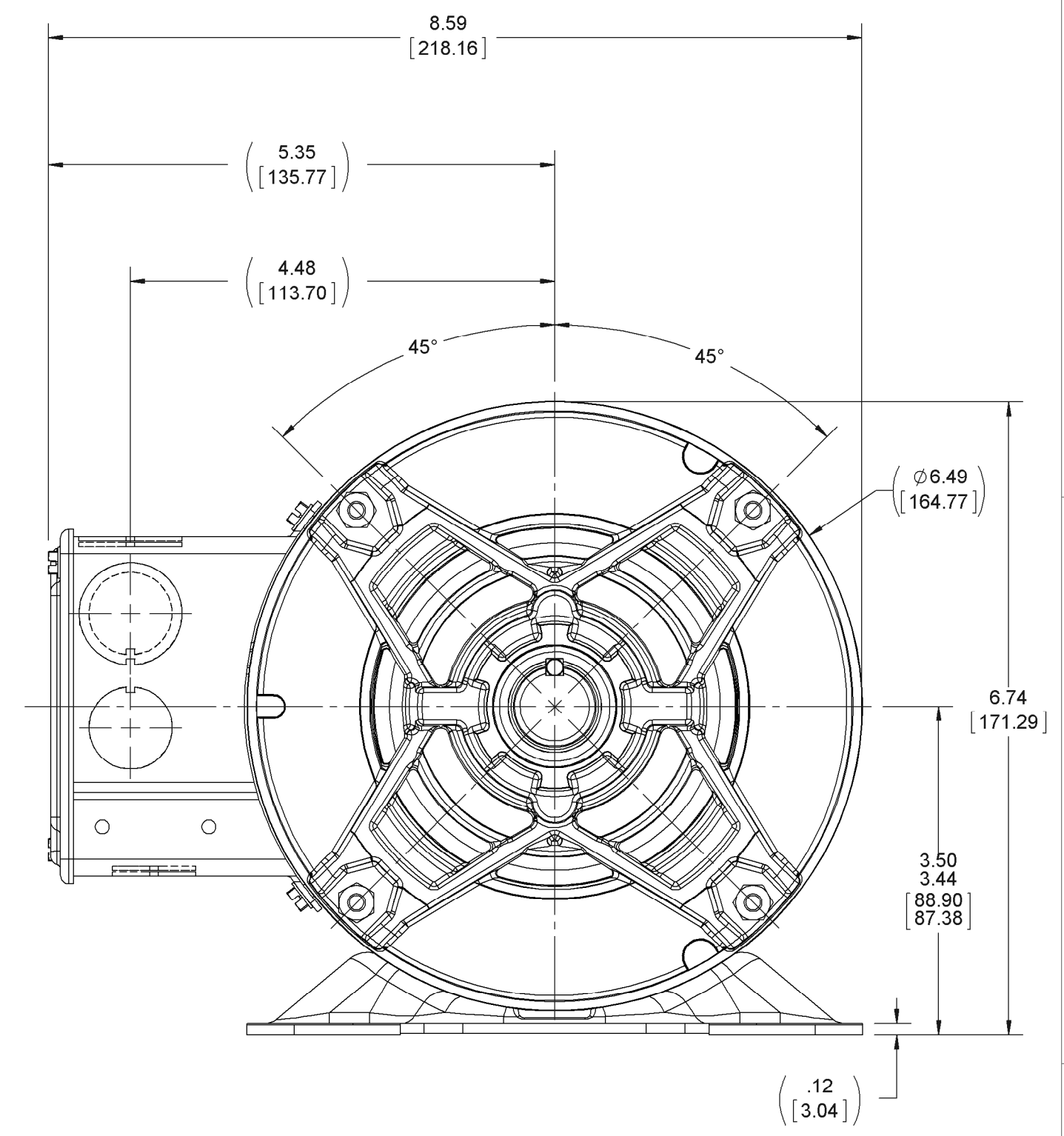
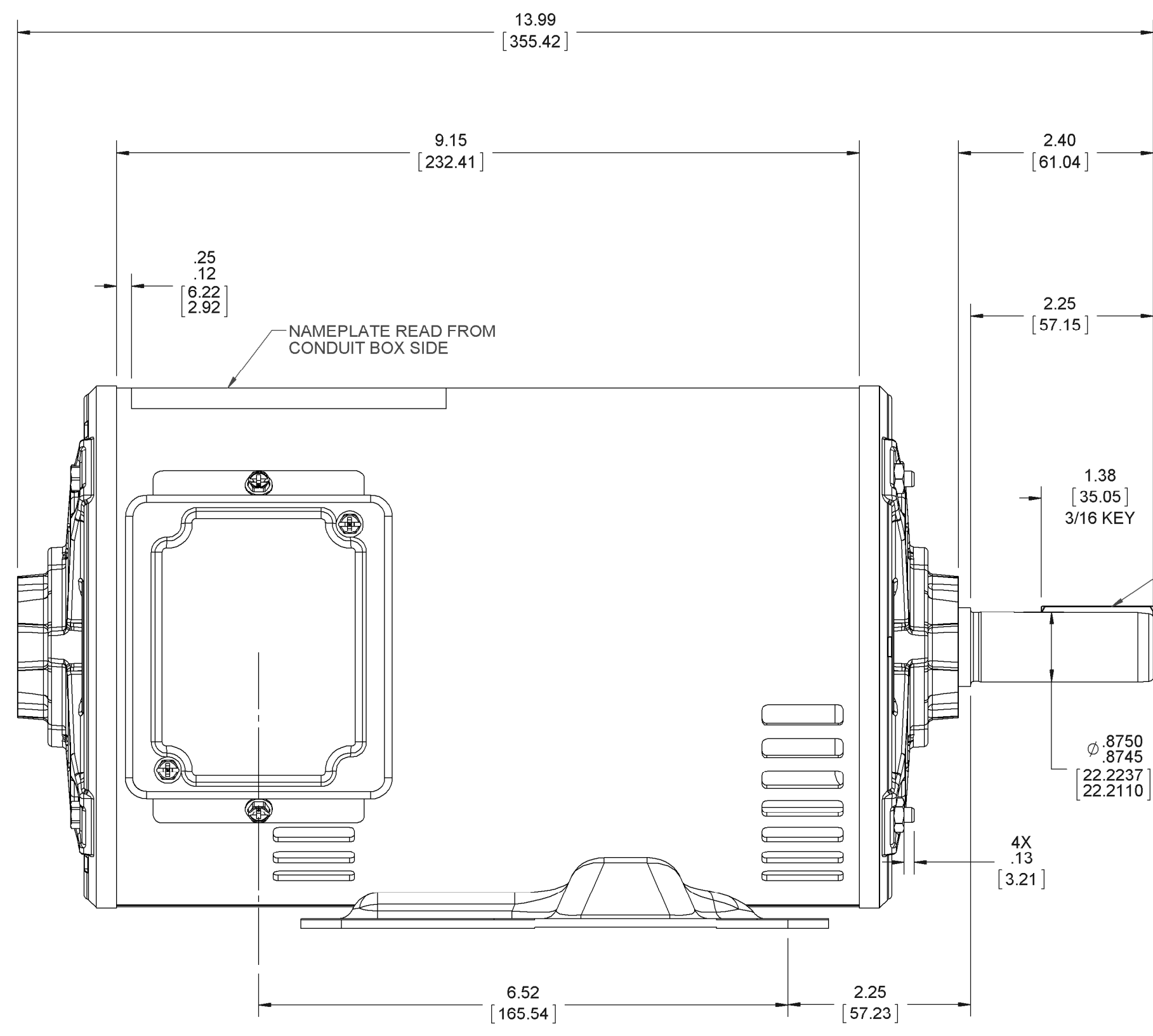


D

C

B

A



DRAWING REVISION F	REVISION BY E. VILLA	DATE 10-31-2016	TOLERANCES UNLESS OTHERWISE SPECIFIED:		DRAWN BY J. RUIZ	Regal Beloit America, Inc.	
ECO ECO-0112119	APPROVED BY J. ORTEGA	DATE 10-31-2016	DEC.	INCH	mm		ANGLE
ECO DESCRIPTION CHANGED EXT SHAFT			.X	+0.1	[±2.5]	±0.5°	
<small>COPYRIGHT REGAL BELOIT AMERICA, INC. ALL RIGHTS RESERVED. PROPRIETARY AND CONFIDENTIAL INFORMATION - THIS DOCUMENT IS THE PROPERTY OF REGAL BELOIT AMERICA, INC. (OWNER) AND CONTAINS OWNER'S PROPRIETARY INFORMATION. ANY PERSON, CORPORATION OR OTHER FIRM RECEIVING IT IS DEEMED, BY RECEIVING IT, TO AGREE THAT IT, AND/OR ANY PART OF IT, SHALL NOT BE DISCLOSED TO ANY PERSON, CORPORATION OR OTHER ENTITY, DUPLICATED, AND/OR USED, EXCEPT AS EXPRESSLY APPROVED IN WRITING IN ADVANCE BY OWNER. THIS DOCUMENT SHALL BE RETURNED TO OWNER UPON REQUEST. IT MAY BE SUBJECT TO CERTAIN RESTRICTIONS UNDER APPLICABLE EXPORT CONTROL LAWS AND REGULATIONS.</small>			.XX	+0.02	[±0.51]		
			.XXX	+0.005	[±0.127]		
			.XXXX	+0.0005	[±0.0127]		
			REMOVE BURRS & BREAK SHARP EDGES: .003/.015 [0.076/.381] X 45° CORNER FILLETS: R.02 [51]				
			MACHINED SURFACES: 125 $\sqrt{\text{mm}}$ 3.2 $\sqrt{\text{INCH}}$				
			mm SHOWN IN [BRACKETS]				
			THIRD ANGLE PROJECTION				SIZE C
			DESCRIPTION OUTLINE 56-140FR,DP,RIGID SPL			MATERIAL PROCESS/FINISH	
			DRAWING NUMBER OL56100009-001			SHEET 1 OF 1	