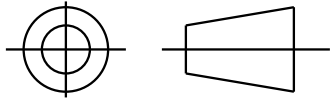


SHEET
REV

52A107763 2

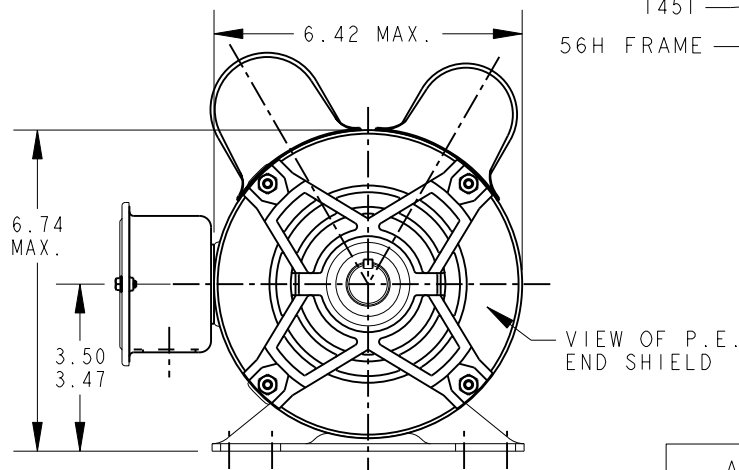
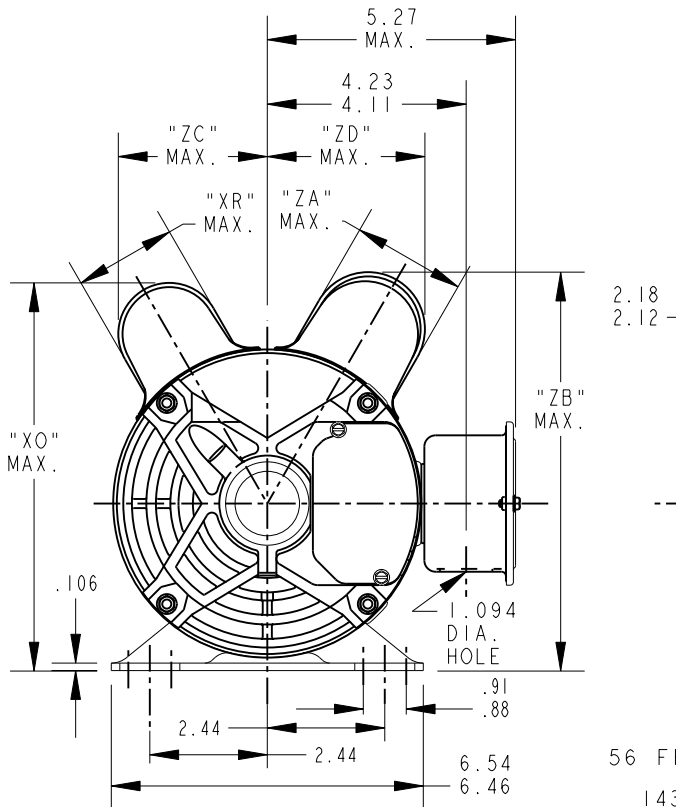
SIZE DRAWING NO.
A

THIRD ANGLE PROJECTION

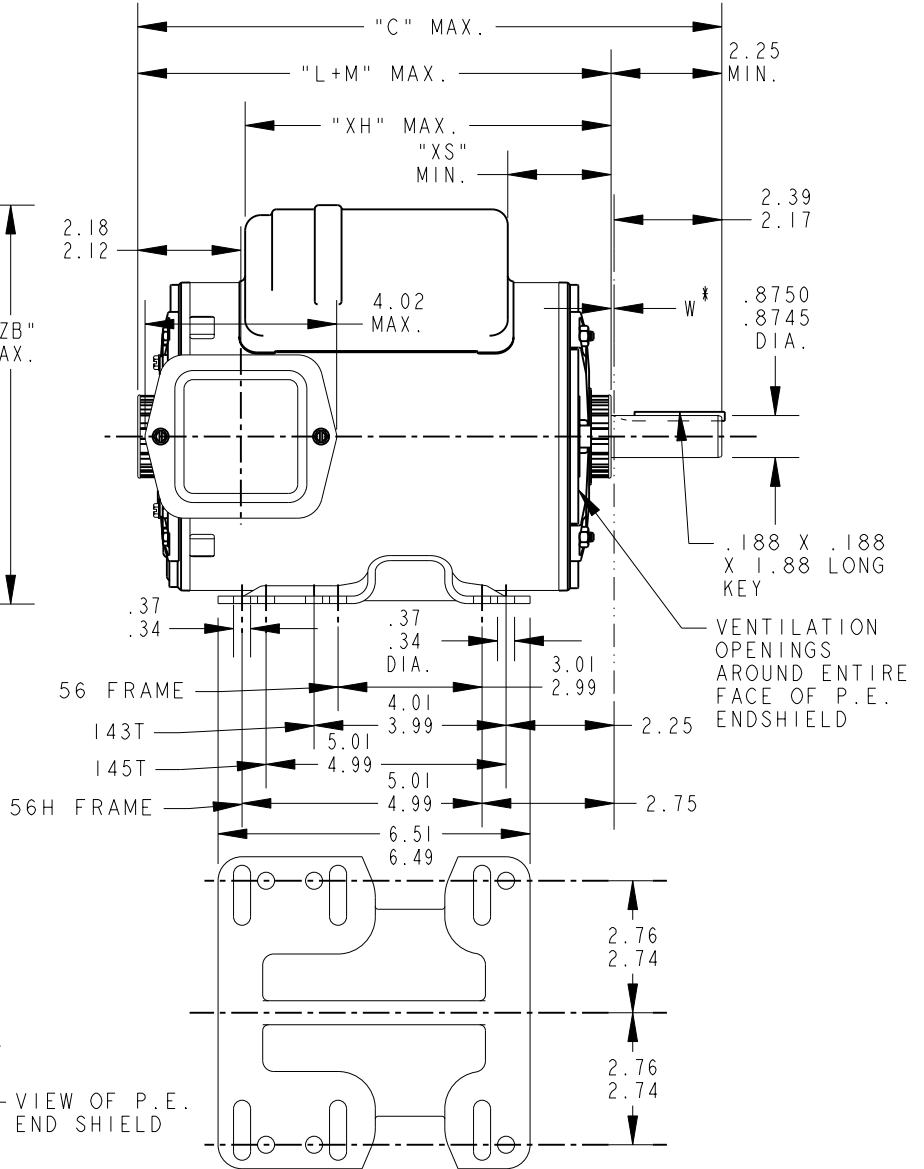


REVISIONS

REV.	DESCRIPTION	DATE	APPROVED
2	CHG TO RBC FORMAT PER ISO5-1777	03/02/06	SUDHA




*W IS A VARIABLE CLEARANCE DUE TO VARIATIONS IN PARTS AND ASSEMBLY



ALL DIMENSIONS ARE IN INCHES

I	KCR	49	143T 145T	12.28	10.01	7.76	8.18	2.15	2.01	2.40	8.40	3.20	3.38	7.68
P	TYPE	GE SIZE	NEMA FR.	"C"	"L+M"	"XH"	"XO"	"XR"	"XS"	"ZA"	"ZB"	"ZC"	"ZD"	MIN. SHELL

SIGNATURES		DATE
MODEL	M. D. PAPE	11/08/91
DETAIL	.	.
CHECKED	.	.
ENGRG	.	.
MFG	.	.
FOR ADDITIONAL INFO REFER TO:	QUALITY	.
APPLIED PRACTICES	ISSUED	M. D. PAPE 11/08/91
DIMENSIONS ARE IN INCHES ✓	SOLID MODEL: 52A107763	



REGAL-BELOIT CORPORATION

TITLE: **OUTLINE**

**GENERAL PURPOSE MOTOR DRIP PROOF - BALL BEARING
WELDED BASE FMF - 40 FRAME REDESIGN (5KCR49SN0065)**

SCALE: 0.250 REF. No: . SHEET 1 of 1

