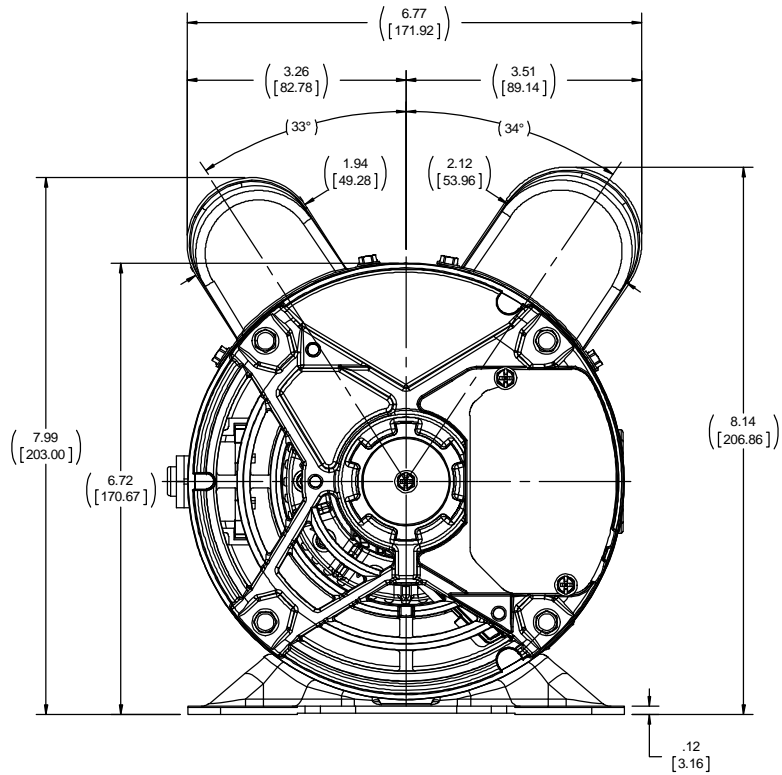
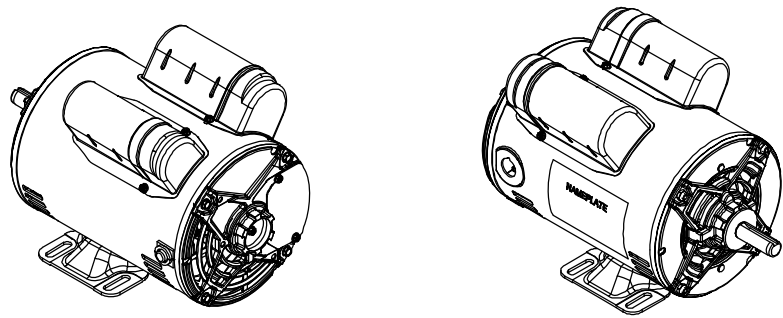
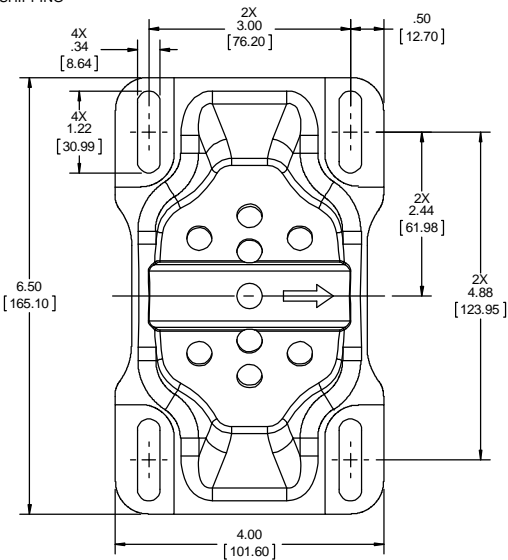
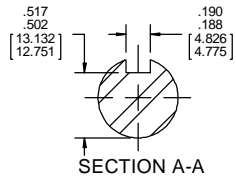
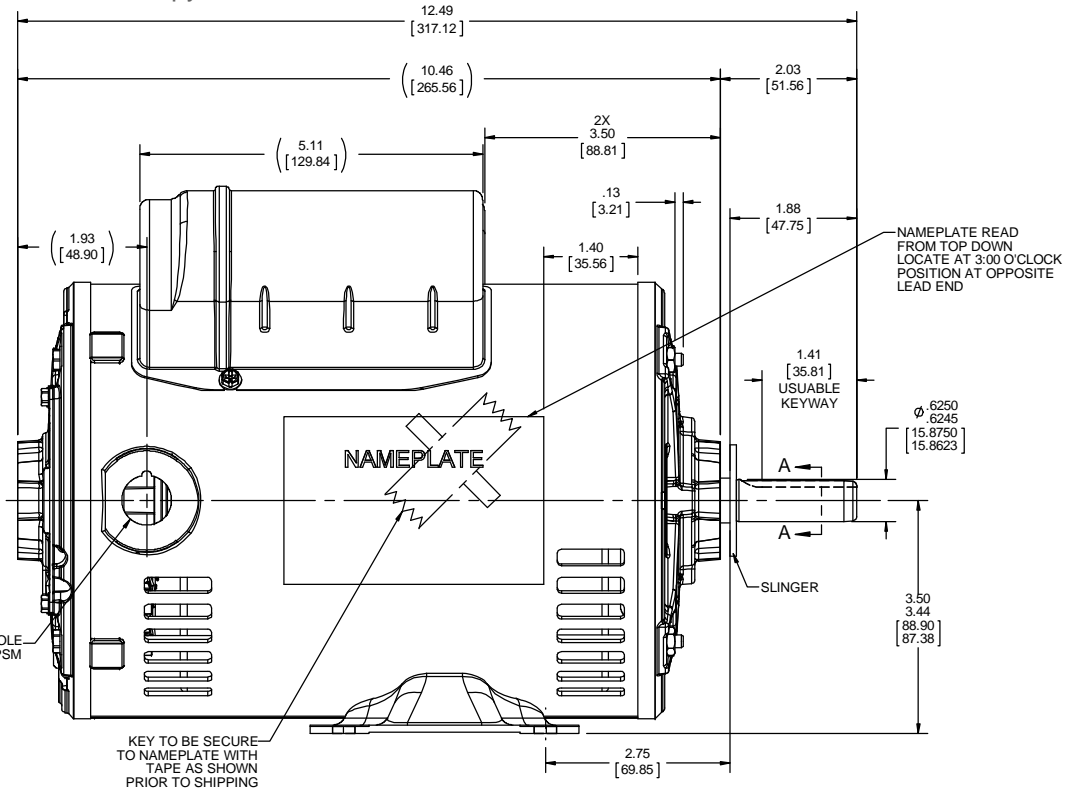


Uncontrolled Copy



THREADED HOLE
1/2-14 NPSM



DRAWING REVISION B	REVISION BY KHADHAR	DATE 12/04/2018	TOLERANCES UNLESS OTHERWISE SPECIFIED: DEC. INCH mm ANGLE	DRAWN BY R.ZAMARRON	Regal Beloit America, Inc.
ECO ECO-0157736	APPROVED BY SURYAWANSHI D	DATE 12/04/2018	.X ±0.1 [2.5] 30.5° .XX ±0.03 [0.76] .XXX ±0.005 [0.127] .XXXX ±0.0005 [±0.0127]	DATE 11-23-2016	
ECO DESCRIPTION UPDATED MOTOR ASSEMBLY			REMOVE BURRS & BREAK SHARP EDGES: .0031 [0.078] X 45° CORNER FILLETS: R.02 [.51]	APPROVED BY J.ORTEGA	DESCRIPTION OUTLINE
COPYRIGHT REGAL BELOIT AMERICA, INC. ALL RIGHTS RESERVED. PROPRIETARY AND CONFIDENTIAL INFORMATION. THIS DOCUMENT IS THE PROPERTY OF REGAL BELOIT AMERICA, INC. OWNERS AND CONTAINS OWNERS PROPRIETARY INFORMATION. ANY PERSON, CORPORATION OR OTHER FIRM RECEIVING IT IS DEEMED BY RECEIVING IT, TO AGREE THAT IT, AND/OR ANY PART OF IT, SHALL NOT BE DISCLOSED TO ANY PERSON, CORPORATION OR OTHER ENTITY, DUPLICATED, AND/OR USED, EXCEPT AS EXPRESSLY APPROVED IN WRITING IN ADVANCE BY OWNER. THIS DOCUMENT SHALL BE RETURNED TO OWNER UPON REQUEST. IT MAY BE SUBJECT TO CERTAIN RESTRICTIONS UNDER APPLICABLE EXPORT CONTROL LAWS AND REGULATIONS.			MACHINED SURFACES: .125 / 3.2 INCH/ mmv	DATE 11-23-2016	56FR,ODP,1-PHASE,RIGID
			THIRD ANGLE PROJECTION	REFERENCE	MATERIAL
			SIZE C	DRAWING NUMBER OL56100202-001	PROCESS/FINISH
					SHEET 1 OF 1