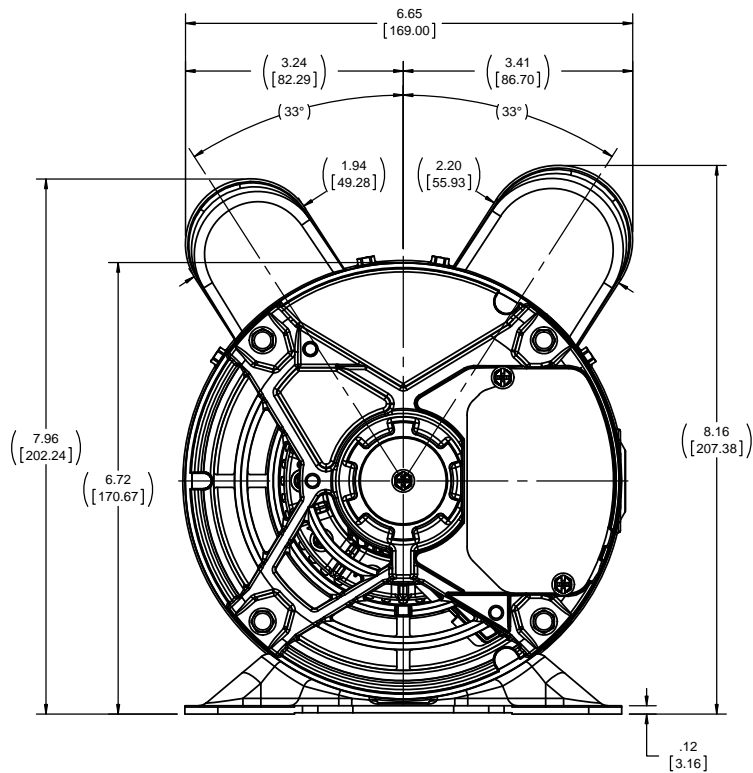
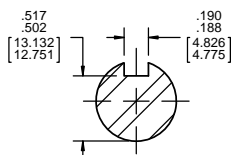
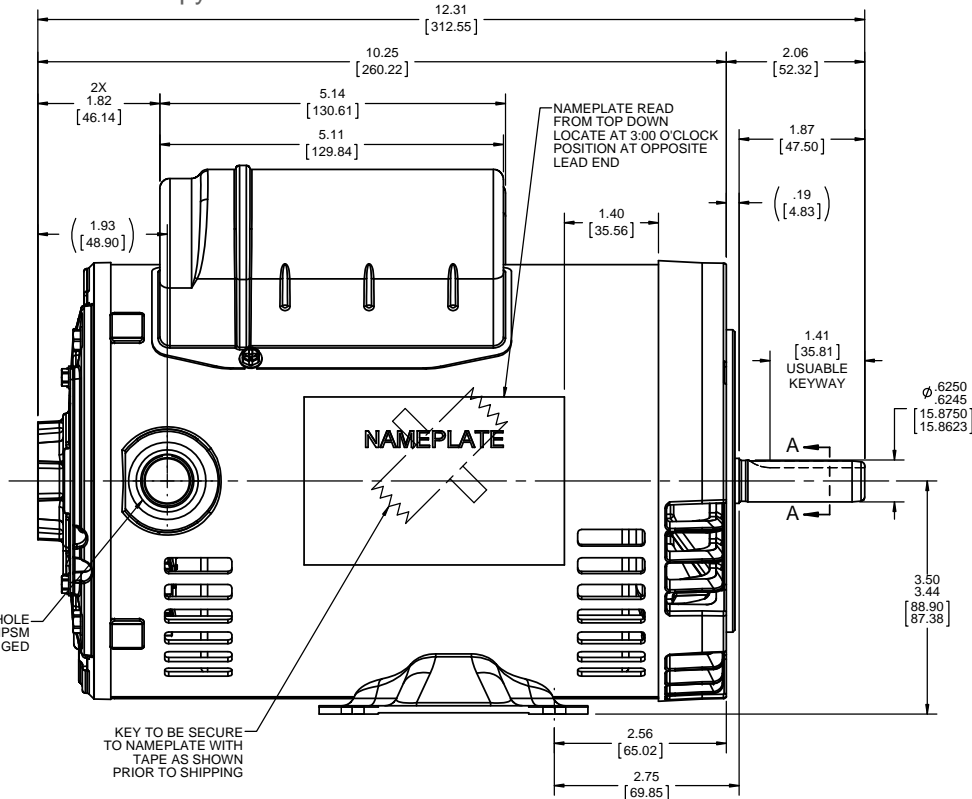


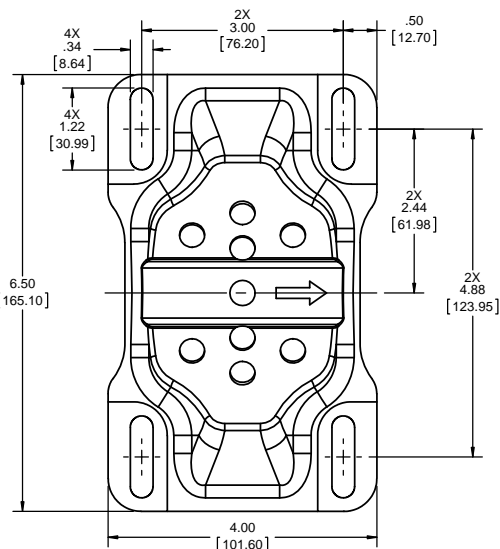
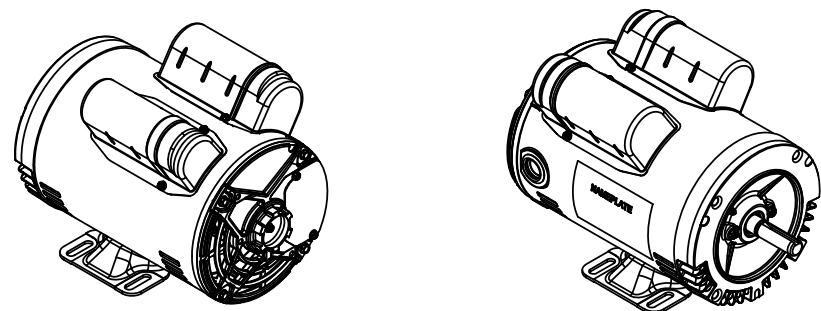
Uncontrolled Copy



THREADED HOLE
1/2-14 NPSM
PLUGGED



SECTION A-A



DRAWING REVISION A	REVISION BY D.VALENCIANO	DATE 11-03-2016	TOLERANCES UNLESS OTHERWISE SPECIFIED: DEC. INCH mm ANGLE X ±0.1 [±2.5] 30.5° XX ±0.03 [±0.76] XXX ±0.005 [±0.127] .XXXX ±0.0005 [±0.0127]	DRAWN BY D.VALENCIANO	Regal Beloit America, Inc.	
ECO-0112063	APPROVED BY	DATE	DATE 11-03-2016	DATE 11-03-2016		
ECO DESCRIPTION NEW MODEL RELEASE			REMOVE BURRS & BREAK SHARP EDGES: .003/.015 [0.076/.381] X 45° CORNER FILLETS: R.02 [51] MACHINED SURFACES: .125 / 3.2 INCH / mm	APPROVED BY J.ORTEGA	DESCRIPTION OUTLINE 56FR,ODP,1-PHASE,RIGID	
<small>COPYRIGHT REGAL BELOIT AMERICA, INC. ALL RIGHTS RESERVED. PROPRIETARY AND CONFIDENTIAL INFORMATION - THIS DOCUMENT IS THE PROPERTY OF REGAL BELOIT AMERICA, INC. FORMERLY AND CONTAINS OWNER'S PROPRIETARY INFORMATION. ANY PERSON, CORPORATION OR OTHER FIRM RECEIVING IT IS DEEMED, BY RECEIVING IT, TO AGREE THAT IT, AND/OR ANY PART OF IT, SHALL NOT BE DISCLOSED TO ANY PERSON, CORPORATION OR OTHER ENTITY, DUPLICATED, AND/OR USED, EXCEPT AS EXPRESSLY APPROVED IN WRITING IN ADVANCE BY OWNER. THIS DOCUMENT SHALL BE RETURNED TO OWNER UPON REQUEST. IT MAY BE SUBJECT TO CERTAIN RESTRICTIONS UNDER APPLICABLE EXPORT CONTROL LAWS AND REGULATIONS.</small>			REFERENCE	MATERIAL	PROCESS FINISH	
			THIRD ANGLE PROJECTION	SIZE C	DRAWING NUMBER OL56100183-001	SHEET 1 OF 1