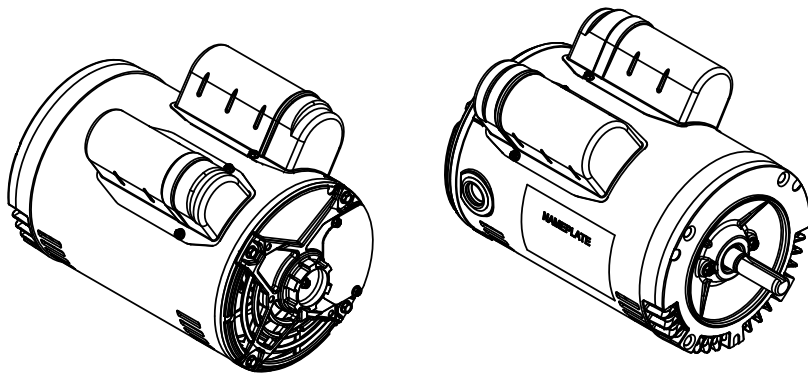



SECTION A-A



DRAWING REVISION A	REVISION BY D.VALENCIANO	DATE 12-07-2016	TOLERANCES UNLESS OTHERWISE SPECIFIED: DEC. INCH mm ANGLE	DRAWN BY D.VALENCIANO	 Regal Beloit America, Inc.
ECO-0114244	APPROVED BY	DATE	X ±0.1 [±2.5] 0.5° XX ±0.03 [±0.76] XXX ±0.005 [±0.127] .XXXX ±0.0005 [±0.0127]	DATE 12-07-2016	
ECO DESCRIPTION NEW MODEL RELEASE			REMOVE BURRS & BREAK SHARP EDGES: .003 [.015] X 45° CORNER FILLETS: R.02 [.51]	APPROVED BY J.ORTEGA	DESCRIPTION OUTLINE
<small>COPYRIGHT REGAL BELOIT AMERICA, INC. ALL RIGHTS RESERVED. PROPRIETARY AND CONFIDENTIAL INFORMATION - THIS DOCUMENT IS THE PROPERTY OF REGAL BELOIT AMERICA, INC. FORMERLY AND CONTAINS OWNER'S PROPRIETARY INFORMATION. ANY PERSON, CORPORATION OR OTHER FIRM RECEIVING IT IS DEEMED, BY RECEIVING IT, TO AGREE THAT IT, AND/OR ANY PART OF IT, SHALL NOT BE DISCLOSED TO ANY PERSON, CORPORATION OR OTHER ENTITY, DUPLICATED, AND/OR USED, EXCEPT AS EXPRESSLY APPROVED IN WRITING IN ADVANCE BY OWNER. THIS DOCUMENT SHALL BE RETURNED TO OWNER UPON REQUEST. IT MAY BE SUBJECT TO CERTAIN RESTRICTIONS UNDER APPLICABLE EXPORT CONTROL LAWS AND REGULATIONS.</small>			MACHINED SURFACES: 1/25 / 3/2 mm SHOWN IN [BRACKETS]	DATE 12-07-2016	MATERIAL
			THIRD ANGLE PROJECTION	REFERENCE	PROCESS FINISH
			SIZE C	DRAWING NUMBER OL56100216-001	SHEET 1 OF 1