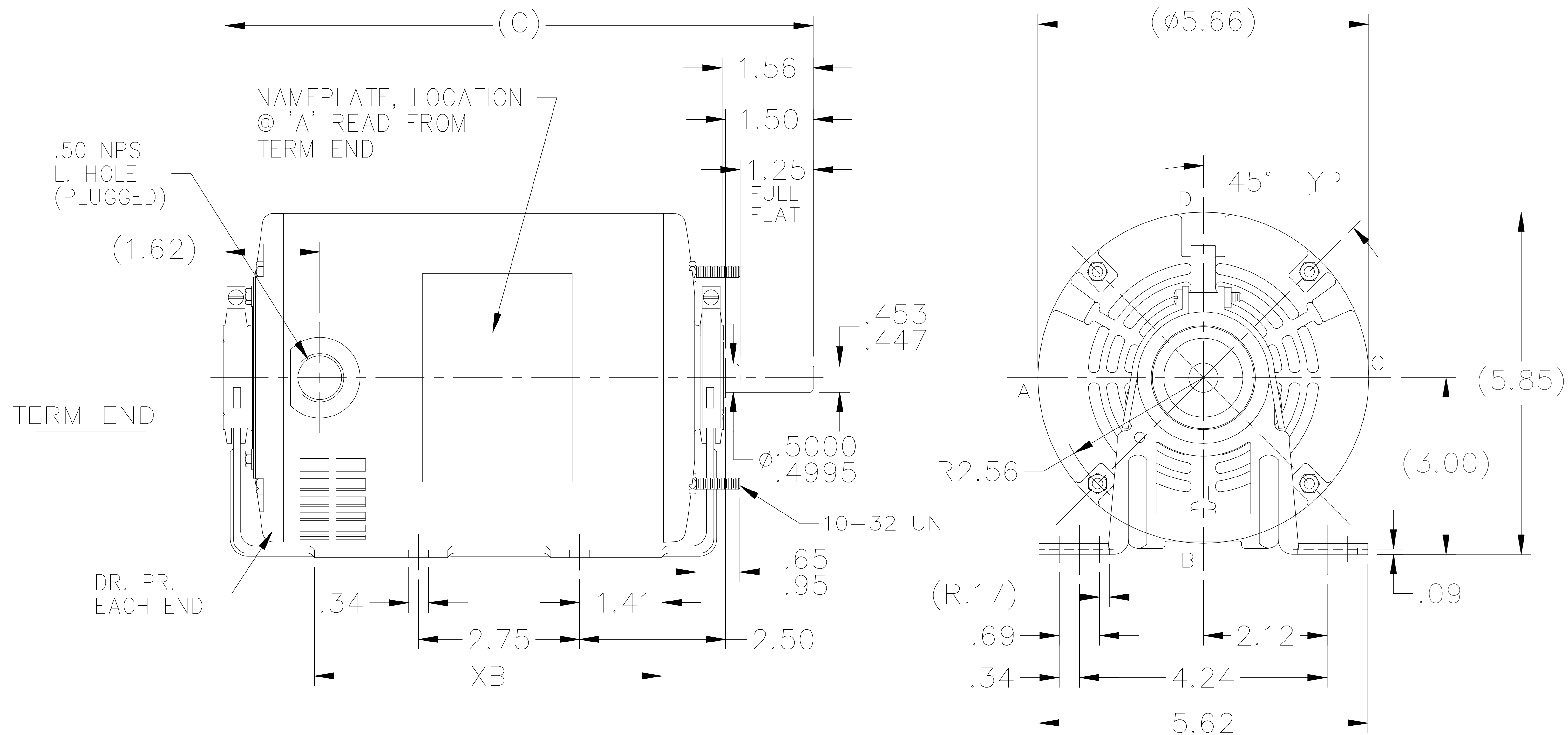


SS403707



DASH	FR.	C	XB
550		9.06	5.69
575		9.31	5.94

		TOLERANCES UNLESS SPECIFIED		MARATHON ELECTRIC		DRAWN GRB 04-30-2008		
		DEC.	INCHES			CHK	SP 04-30-2008	
		.X	±.1			APPD	SP 04-30-2008	
		.XX	±.03		TITLE	SCALE	3=8	
		.XXX	±.005		OUTLINE	REF		
1	CLAMP BOLT EXT .65/.85 TO .65/.95 CHD ECO-0114863	KK	12/14/16		MAT'L.	FMF		
NO.	REVISION	BY & DATE	CHK	ANG	FINISH	PREV		
			RFP	04-30-2008	CAD FILE	SS403707	SIZE	DRAWING NO. PAGE 1 OF 1
			DIST	WP			A	SS403707
THIS DRAWING IN DESIGN AND DETAIL IS OUR PROPERTY AND MUST NOT BE USED EXCEPT IN CONNECTION WITH OUR WORK ALL RIGHTS OF DESIGN AND INVENTION ARE RESERVED THIS IS AN ELECTRONICALLY GENERATED DOCUMENT - DO NOT SCALE THIS PRINT								REV.
								01