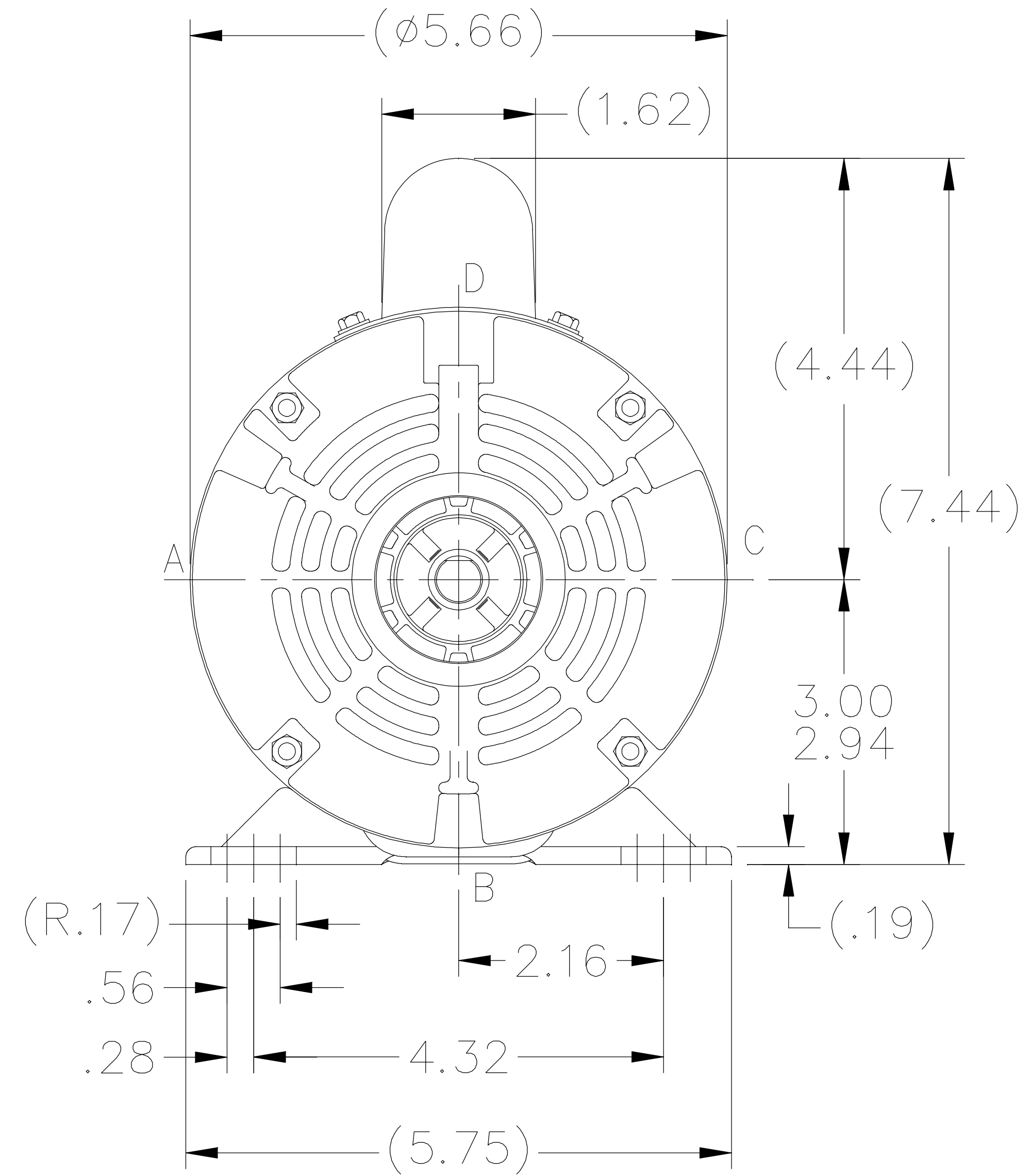
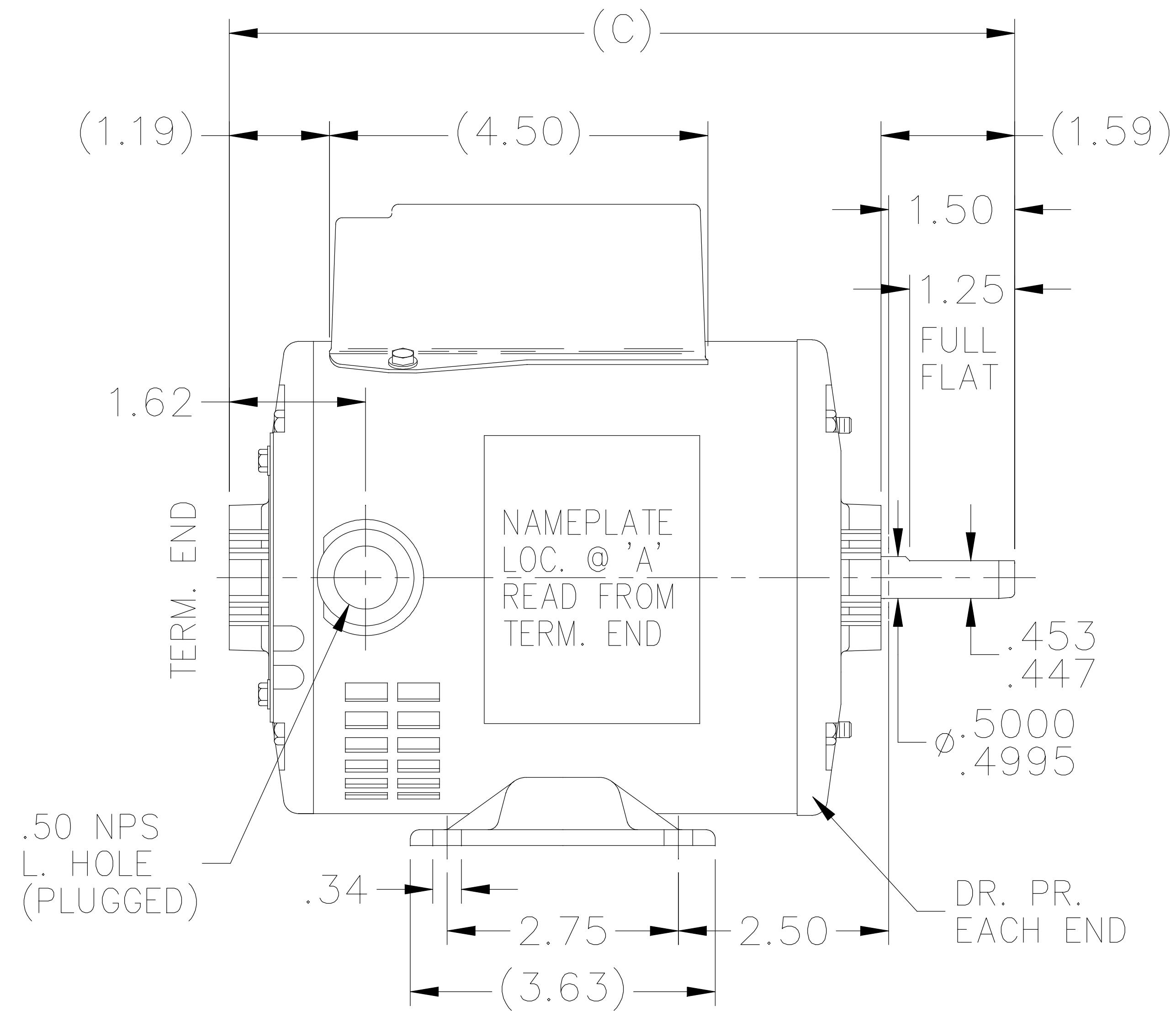


SS78783



DASH	FRAME	C
575	48	9.34
625	48	9.84

NO.	REVISION	BY & DATE	CHK	TOLERANCES UNLESS SPECIFIED		FINISH	DRAWN MRB 3/10/1998			
				DEC.	INCHES					
				.X	±.1	MARATHON ELECTRIC	CHK ML 4/1/1998			
				.XX	±.03		APPD GK 4/1/1998			
6	UPDATED SHAFT EXTENSION	UD 03/08/2019		.XXX	±.005	TITLE OUTLINE	SCALE 3=8			
5	UPDATED DRAWING	TJW 05/11/2007		.XXXX	±.0005	MAT'L.	REF			
4	REDRAWN ON CADD - NO CHANGE	MRB 4/1/1998		ANG	±7'30"		FMF			
			RFP				PREV			
THIS DRAWING IN DESIGN AND DETAIL IS OUR PROPERTY AND MUST NOT BE USED EXCEPT IN CONNECTION WITH OUR WORK ALL RIGHTS OF DESIGN AND INVENTION ARE RESERVED THIS IS AN ELECTRONICALLY GENERATED DOCUMENT - DO NOT SCALE THIS PRINT				DIST	WP	CAD FILE SS78783	SIZE A	DRAWING NO. SS78783	PAGE 1 OF 1	REV. 5