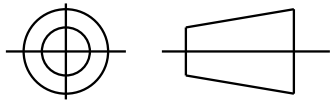


SHEET 1
REV 2
52A109568

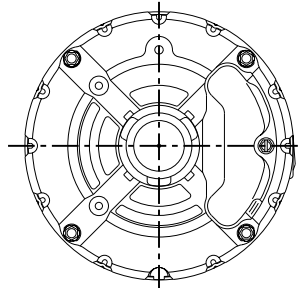
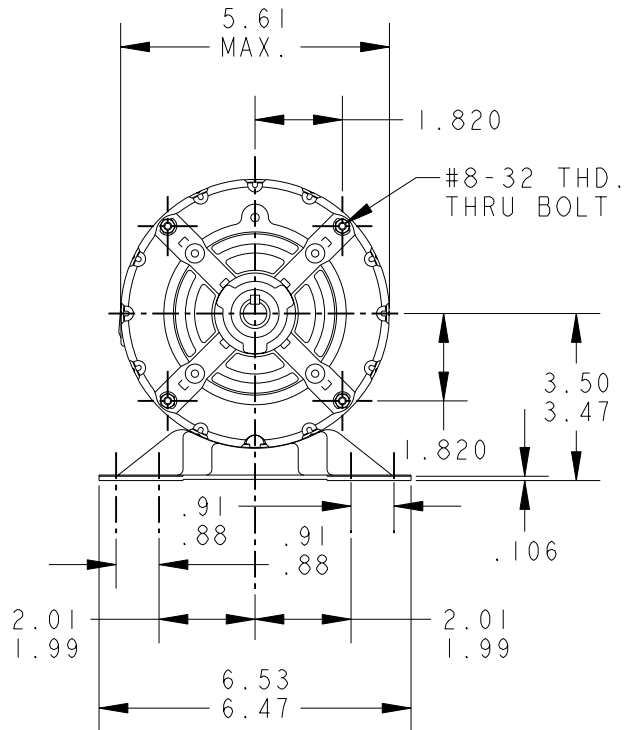
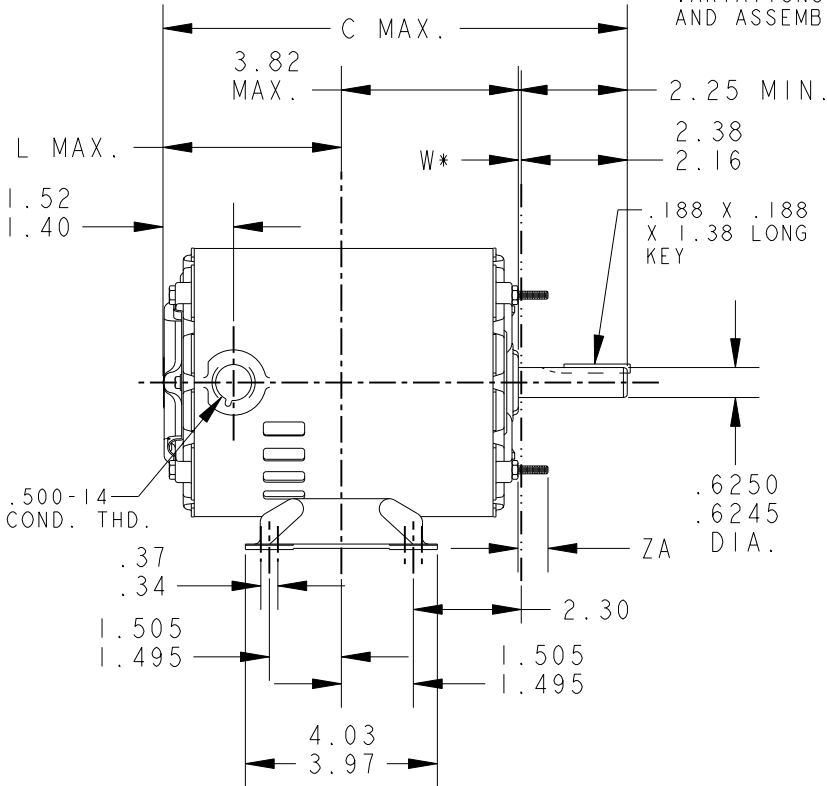
THIRD ANGLE PROJECTION



REVISIONS


REV.	DESCRIPTION	DATE	APPROVED
1	ADDED PART #2.	08/08/96	M.D.PAPE
2	CHG TO RBC FORMAT PER ISO5-1777	03/17/06	SUDHA

W* IS A VARIABLE CLEARANCE DUE TO VARIATIONS IN PARTS AND ASSEMBLY.



VIEW SHOWING O.P.E. ENDSHIELD

2	KH	37	56Z	11.29	4.13	0.625
1	KH	36	56Z	10.89	3.73	0.625
P	TYPE	GE SIZE	NEMA FR	C	L	ZA

FOR ADDITIONAL INFO REFER TO: APPLIED PRACTICES DIMENSIONS ARE IN INCHES ✓ MATERIAL	SIGNATURES		DATE	 <p>REGAL-BELOIT CORPORATION</p> <p>TITLE OUTLINE</p> <p>FORM N GENERAL PURPOSE MOTOR - DP - BALL BEARING - EXT. CLAMP SCREWS - WELDED BASE</p> <p>SIZE: DRAWING A</p> <p>SCALE: 0.250 REF. No: .</p>	<p>REV 52A109568 2</p> <p>SHEET 1 of 1</p>
	MODEL	M.D.PAPE	05/08/95		
	DETAIL	.	.		
	CHECKED	.	.		
	ENGRG	.	.		
MFG	.	.			
QUALITY	.	.			
ISSUED	M.D.PAPE	05/08/95			
SOLID MODEL: 52A109568					