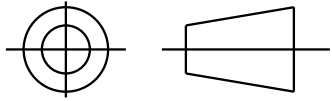


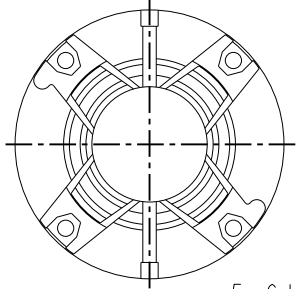
SHEET 1
REV 10
52A101739

THIRD ANGLE PROJECTION

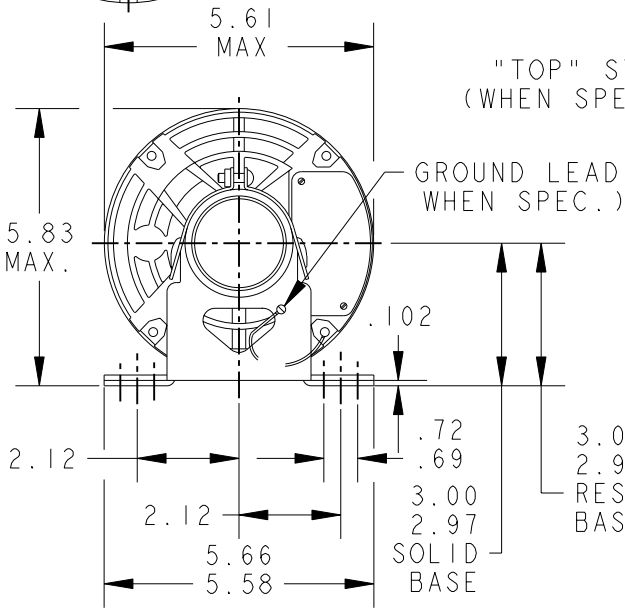


REVISIONS

REV.	DESCRIPTION	DATE	APPROVED
10	CHG TO RBC FORMAT PER IS 05-1777	12/15/05	RAJKUMAR



VIEW SHOWING
PE VENTILATION
OPENINGS



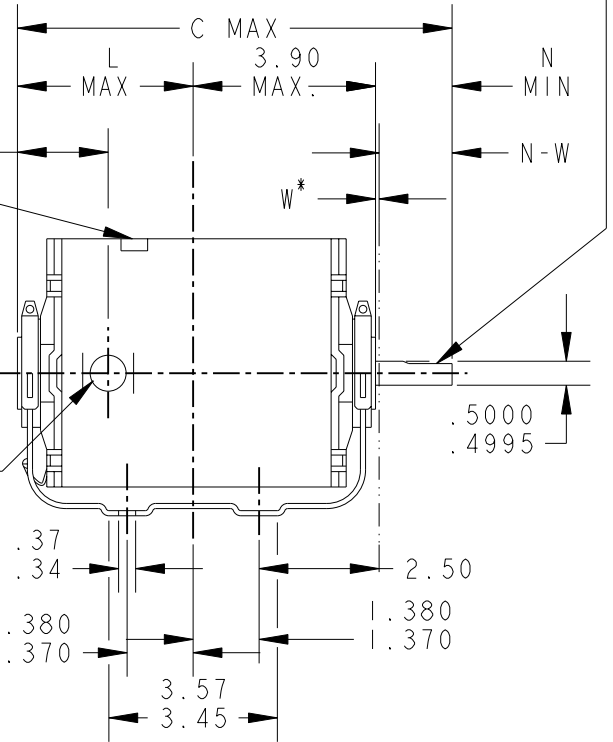
"TOP" STICKER
(WHEN SPECIFIED)

GROUND LEAD
(WHEN SPEC.)

.500-14
CONDUIT
THREAD

3.00
2.94
RESIL
BASE

.05 X (K) LG.
FULL FLAT




*W IS A CLEARANCE DUE TO VARIATION IN PARTS & ASSEMBLY.

9	KH	32	48Z	9.05	1.50	3.59	1.625	1.77/1.53
8	KH	33	48Z	9.57	1.54	3.84	1.88	2.01/1.79
7	KH	33	48Z	10.19	2.16	3.84	2.50	2.61/2.41
6	KH	32	48Z	9.94	2.16	3.59	2.50	2.61/2.41
5	KH	38	48	11.00	1.16	5.65	1.50	1.63/1.41
4	KH	36	48	10.00	1.16	4.65	1.50	1.63/1.41
3	KH	35	48	9.57	1.16	4.22	1.50	1.63/1.41
2	KH	33	48	9.19	1.16	3.84	1.50	1.63/1.41
1	KH	32	48	8.94	1.16	3.59	1.50	1.63/1.41

PT	TYPE	GE SIZE	NEMA FR	C	K	L	N	N-W
----	------	---------	---------	---	---	---	---	-----

SIGNATURES		DATE
MODEL	.	.
DETAIL	WFF	06/18/75
CHECKED	.	.
ENGRG	.	.
MFG	.	.
QUALITY	.	.
ISSUED	AAU	06/08/96
SOLID MODEL: 52A101739		



REGAL-BELOIT CORPORATION

TITLE
OUTLINE
FORM N- GENERAL PURPOSE MOTOR- DRIP PROOF- SOLID
OR RESIL BASE- BALL OR SLEEVE BEARING

SCALE: 0.250 REF. No: . SHEET 1 of 1

SIZE	DRAWING	REV
A		10

FOR ADDITIONAL INFO REFER TO:
APPLIED PRACTICES
DIMENSIONS ARE IN INCHES ✓