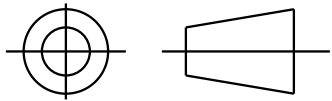


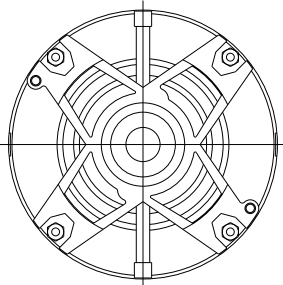
SHEET 1  
REV 4  
52A106960  
SIZE DRAWING NO. A

THIRD ANGLE PROJECTION

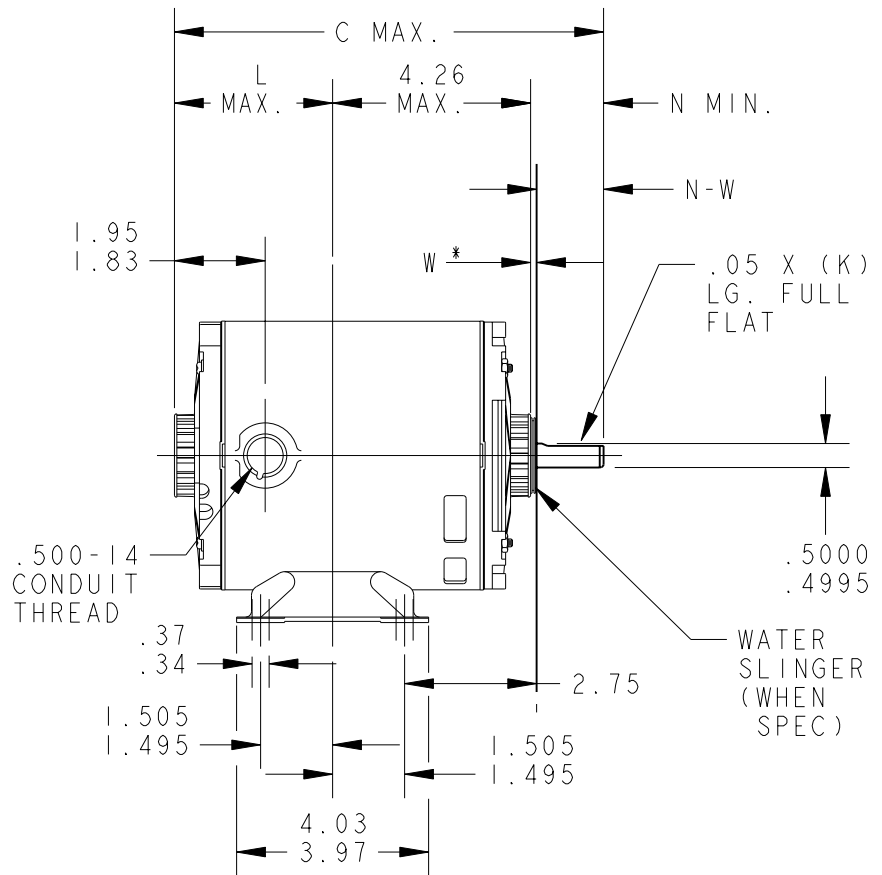
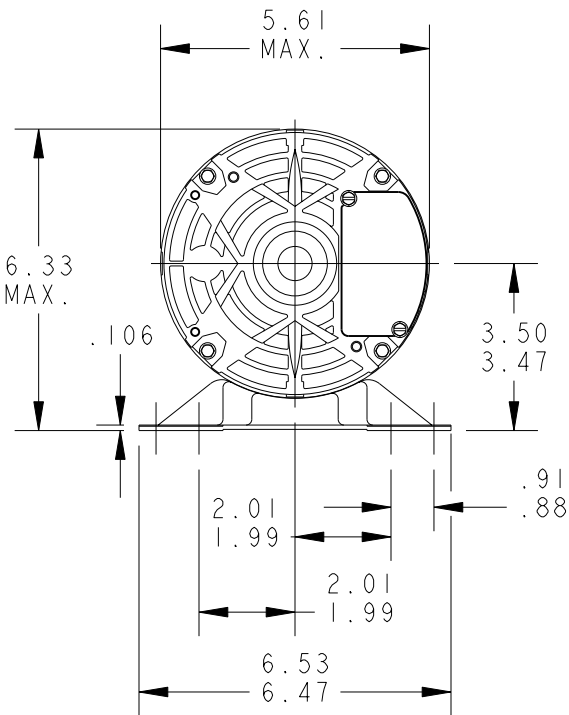


REVISIONS

REV.	DESCRIPTION	DATE	APPROVED
2	REDRAWN WITHOUT CHANGE	04/30/92	BLJ
3	REDRAWN BY 2M SOFTWARE CO.	03/04/95	CCP
4	CHG TO RBC FORMAT PER ISO5-1777	02/15/06	SUDHA



VIEW SHOWING P.E. VENTILATION OPENINGS



I	KH	32	56Z	8.94	1.16	3.23	1.50	1.63/1.47
P	TYPE	GE SIZE	NEMA FR	C	K	L	N	N-W

W\* IS A CLEARANCE DUE TO VARIATION IN PARTS AND ASSEMBLY.

SIGNATURES		DATE
MODEL	M.A.M.	06/15/89
DETAIL	.	.
CHECKED	.	.
ENGRG	.	.
MFG	.	.
FOR ADDITIONAL INFO REFER TO:	QUALITY	.
APPLIED PRACTICES	ISSUED	C.C.P. 03/04/95
DIMENSIONS ARE IN INCHES ✓	SOLID MODEL: 52A106960	



REGAL-BELOIT CORPORATION

TITLE  
**OUTLINE**  
**FORM N - GENERAL PURPOSE MOTOR - DRIP PROOF - WELDED BASE - BALL OR SLEEVE BEARING FMF: 5KH39QN9546A**

SIZE DRAWING	A	REV	4
SCALE: 0.250	REF. No: .	SHEET 1 of 1	

52A106960