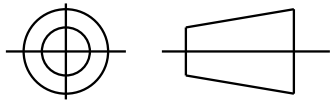


SHEET 1
REV 7
52A103001

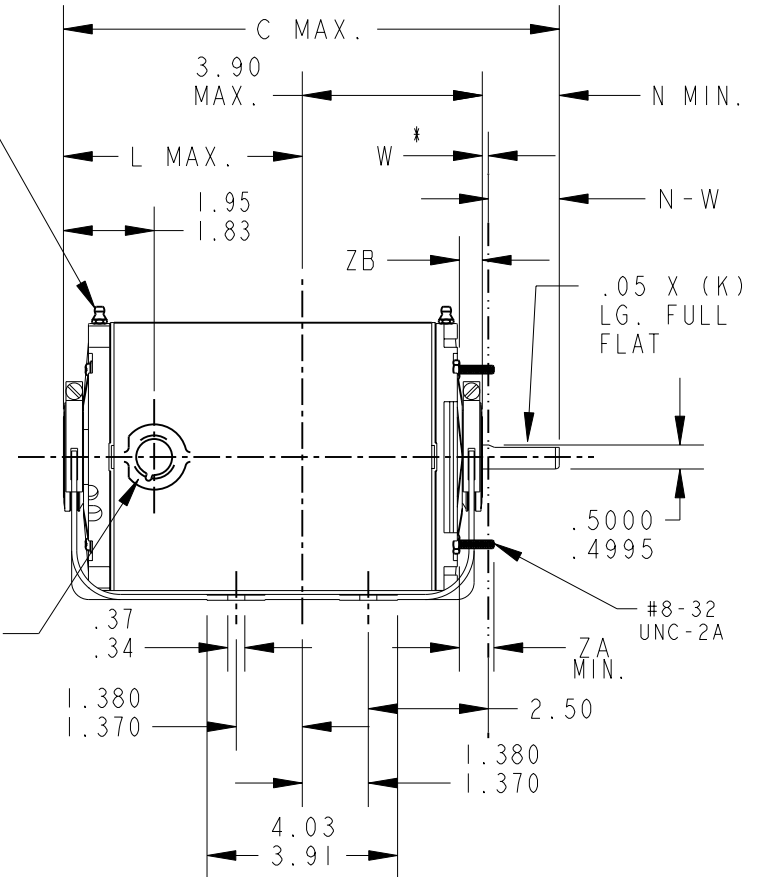
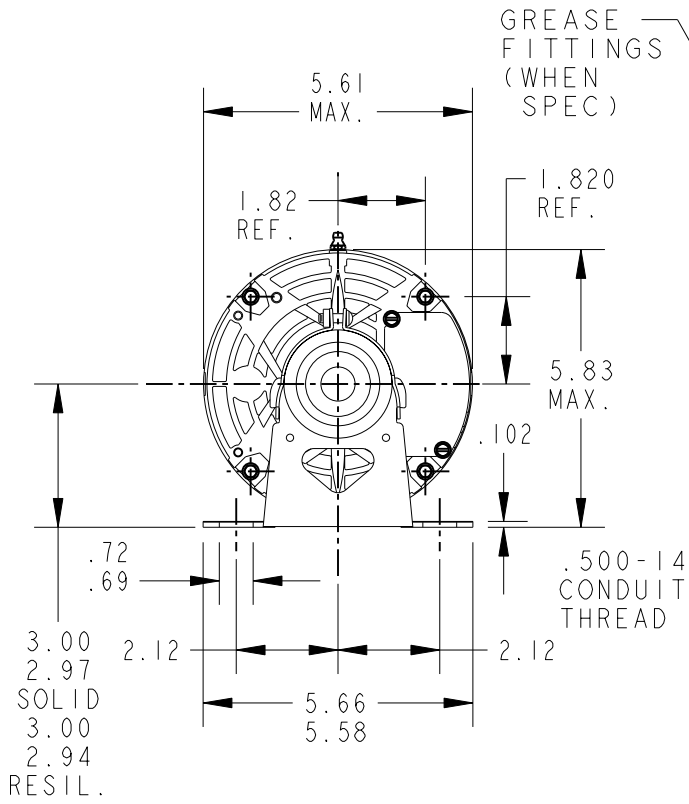
THIRD ANGLE PROJECTION



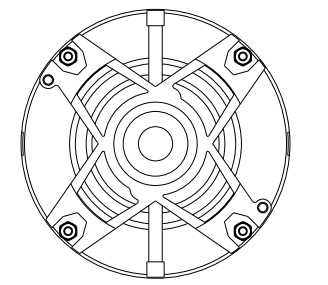
REVISIONS

REV.	DESCRIPTION	DATE	APPROVED
6	ADDED PART #8.	09/07/95	M.D.PAPE
7	CHG TO RBC FORMAT PER ISO5-1777	01/09/06	PRAVEEN.K

W* IS A CLEARANCE DUE TO VARIATION IN PARTS AND ASSEMBLY.



8	KH	35	48	9.57	1.16	4.22	1.50	1.63/1.41	.55/.52	.62
7	KH	33	48	9.18	1.16	3.84	1.50	1.63/1.41	.55/.52	1.03
6	KH	32	48	8.93	1.16	3.59	1.50	1.63/1.41	.55/.52	1.03
5	KH	37	48	10.40	1.16	5.05	1.50	1.63/1.41	.55/.52	.57
4	KH	32	48	8.94	1.16	3.59	1.50	1.63/1.41	.55/.52	.28
3	KH	33	48Z	10.19	2.16	3.84	2.50	2.63/2.41	.55/.52	.62
2	KH	36	48Z	11.00	2.16	4.65	2.50	2.63/2.41	.55/.52	.62
1	KH	32	48Z	9.94	2.16	3.59	2.50	2.63/2.41	.55/.52	.62
P	TYPE	GE SIZE	NEMA FR	C	K	L	N	N-W	ZB	ZA



VIEW SHOWING P.E. VENTILATION OPENINGS

SIGNATURES		DATE
MODEL	P.B.L.	09/07/78
DETAIL	.	.
CHECKED	.	.
ENGRG	.	.
MFG	.	.
QUALITY	.	.
ISSUED	B.L.J.	02/22/91
SOLID MODEL: 52A103001		

REGAL-BELOIT CORPORATION

TITLE
OUTLINE
FORM N - GENERAL PURPOSE MOTOR - DRIP PROOF
SOLID OR RESIL. BASE - BALL OR SLEEVE BEARING FMF: 5KH32EN210X

SCALE: 0.250 REF. No: . SHEET 1 of 1

FOR ADDITIONAL INFO REFER TO:
APPLIED PRACTICES
DIMENSIONS ARE IN INCHES ✓
MATERIAL

SIZE DRAWING: A
52A103001
REV: 7