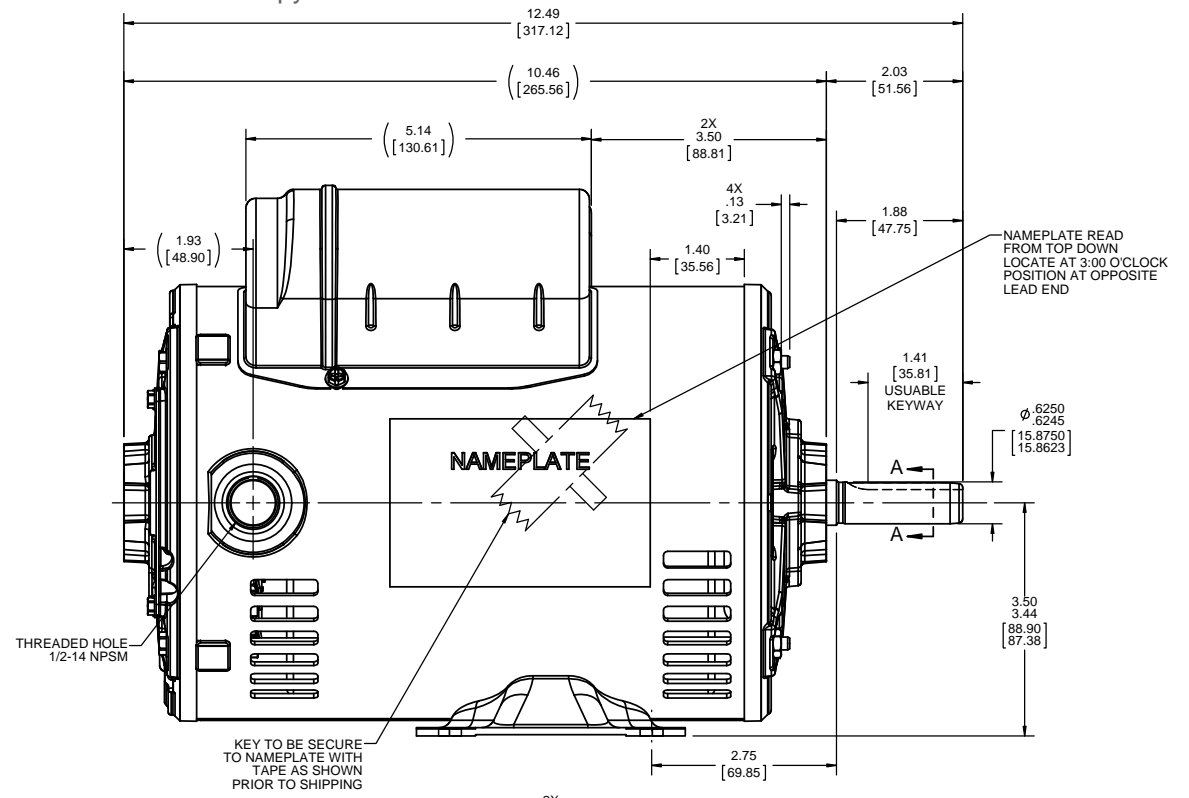
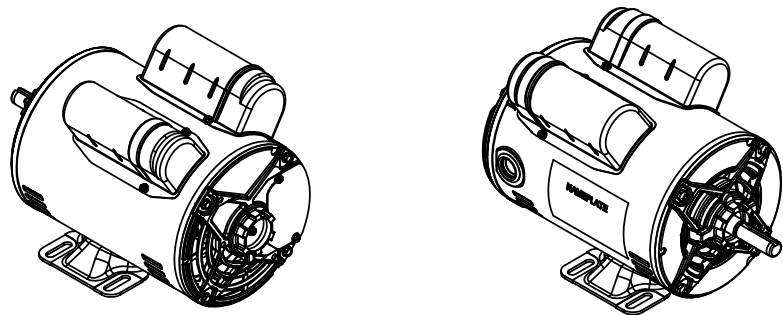
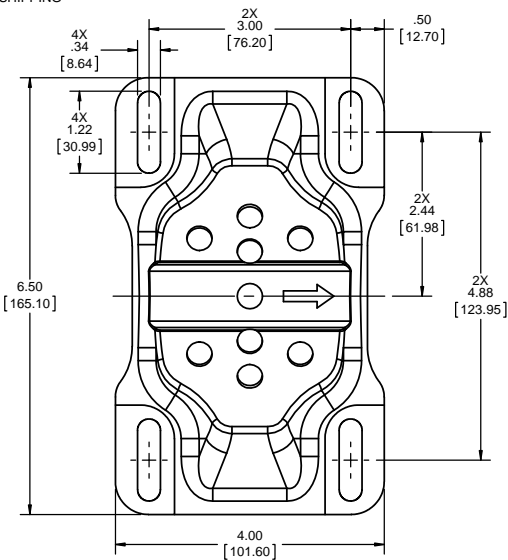


SECTION A-A



NAMEPLATE READ FROM TOP DOWN LOCATE AT 3:00 O'CLOCK POSITION AT OPPOSITE LEAD END

KEY TO BE SECURE TO NAMEPLATE WITH TAPE AS SHOWN PRIOR TO SHIPPING



DRAWING REVISION A	REVISION BY	DATE	TOLERANCES UNLESS OTHERWISE SPECIFIED: DEC. INCH mm ANGLE	DRAWN BY R.ZAMARRON	Regal Beloit America, Inc.
ECO-0114267	APPROVED BY	DATE	X ±0.1 [±2.5] 30.5° XX ±0.03 [±0.76] XXX ±0.005 [±0.127] .XXXX ±0.0005 [±0.0127]	DATE 12-06-2016	
ECO DESCRIPTION	NEW MODEL RELEASE		REMOVE BURRS & BREAK SHARP EDGES: .003/.015 [0.076/.381] X 45° CORNER FILLETS: R.02 [.51]	APPROVED BY J.ORTEGA	DESCRIPTION OUTLINE 56FR,ODP,1-PHASE,RIGID
<small>COPYRIGHT REGAL BELOIT AMERICA, INC. ALL RIGHTS RESERVED. PROPRIETARY AND CONFIDENTIAL INFORMATION - THIS DOCUMENT IS THE PROPERTY OF REGAL BELOIT AMERICA, INC. FORMER AND CONTAINS OWNER'S PROPRIETARY INFORMATION. ANY PERSON, CORPORATION OR OTHER FIRM RECEIVING IT IS DEEMED, BY RECEIVING IT, TO AGREE THAT IT, AND/OR ANY PART OF IT, SHALL NOT BE DISCLOSED TO ANY PERSON, CORPORATION OR OTHER ENTITY, DUPLICATED, AND/OR USED, EXCEPT AS EXPRESSLY APPROVED IN WRITING IN ADVANCE BY OWNER. THIS DOCUMENT SHALL BE RETURNED TO OWNER UPON REQUEST. IT MAY BE SUBJECT TO CERTAIN RESTRICTIONS UNDER APPLICABLE EXPORT CONTROL LAWS AND REGULATIONS.</small>			MACHINED SURFACES: 125 / 3.2 INCH / mm V	DATE 12-06-2016	MATERIAL
			mm SHOWN IN [BRACKETS]	REFERENCE	PROCESS FINISH
			THIRD ANGLE PROJECTION	SIZE	DRAWING NUMBER
			C	1	OL56100214-001
					SHEET 1 OF 1