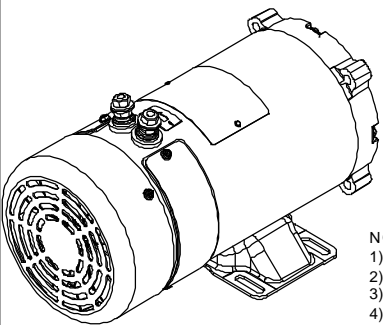
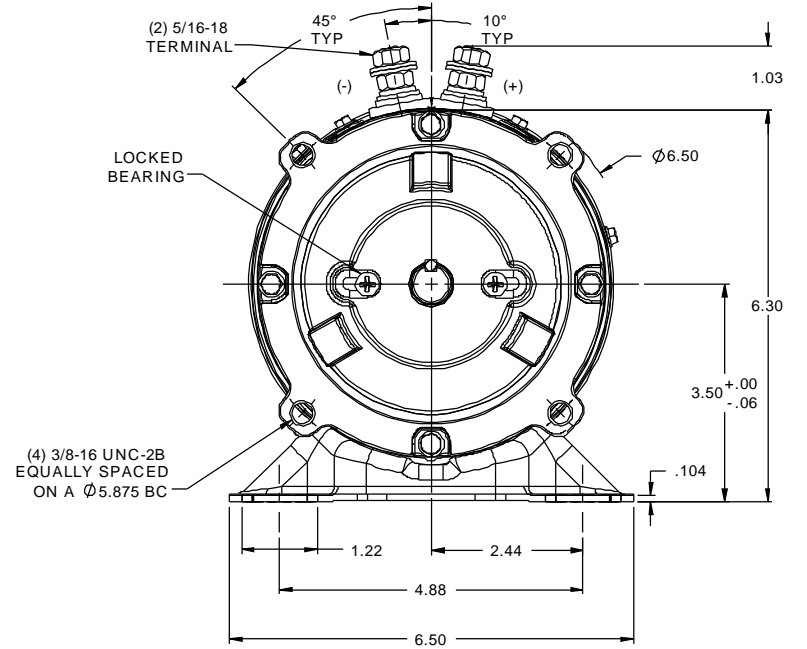
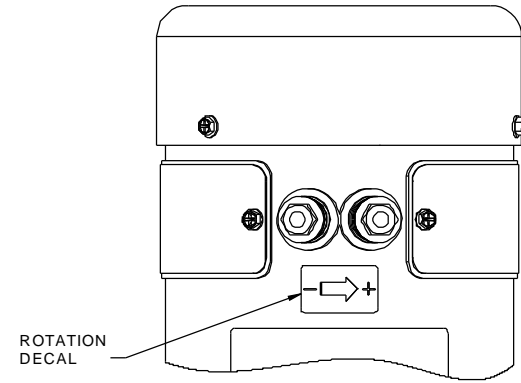
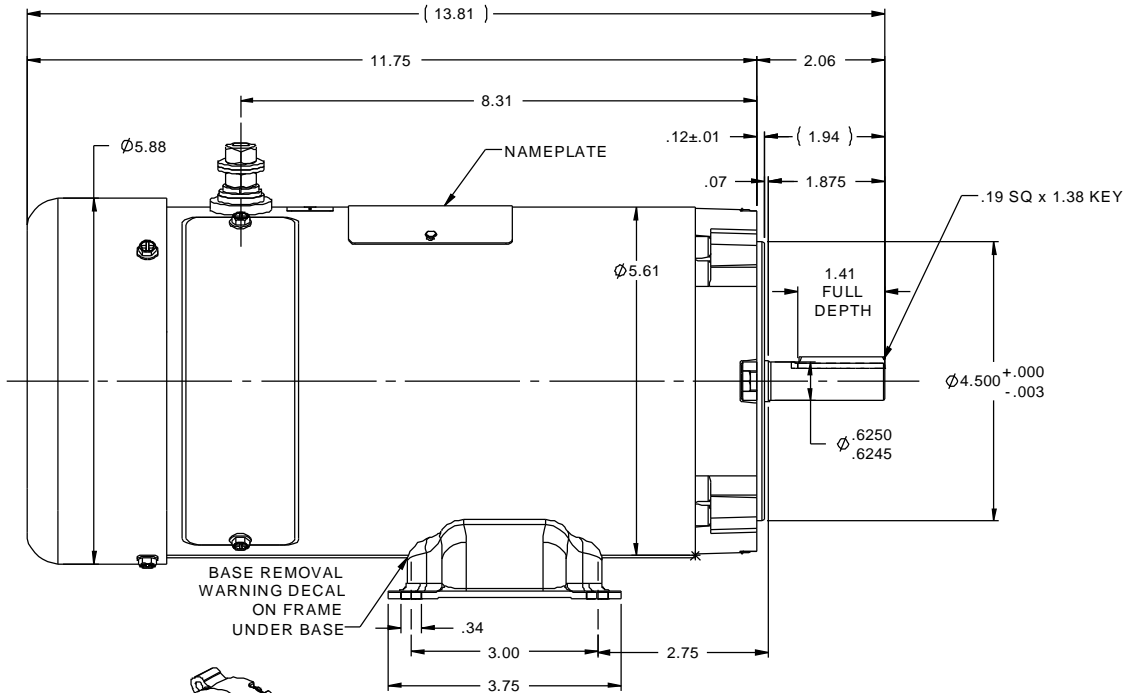


RBC PROPRIETARY AND CONFIDENTIAL INFORMATION
 This document is the property of REGAL BELOIT CORPORATION ("RBC") including its subsidiaries and divisions and contains proprietary information of RBC. This document is loaned on the express condition that neither the information contained therein shall be disclosed to others without the express written consent of RBC, and that the information shall be used by the recipient only as approved expressly by RBC. This document shall be returned to RBC upon its request. This document may be subject to certain restrictions under U.S. export control laws and regulations.



- NOTES:
 1) MAXIMUM FACE RUNOUT .004 T.I.R.
 2) MAXIMUM PILOT ECCENTRICITY .004 T.I.R.
 3) PERMISSIBLE SHAFT RUNOUT .002 T.I.R.
 4) GASKETS THROUGHOUT.

				TOLERANCES UNLESS SPECIFIED		DRAWN RPB 2/22/02	
				DEC	INCHES	CHK	
02	ADDED EXTRA VIEW PER MFG REQUEST	JJM 9/16/2013	XX	±.03	TITLE OUTLINE		APPR BC 2/22/02
--	REDRAWN IN SOLIDWORKS	IPG 9/9/2011	XXX	±.005	48 FRAME DC		SCALE 1:2
01	RELOCATED FAN GUARD SCREWS, ECR 76120	BPW 4/24/02	SAD	±.0005	MAT'L		REF 031188
NO	REVISION	BY & DATE	CHK	ANG ±1/2°	FINISH		FMF 108994.00
				RFP		PREV	PAGE OF
THIRD ANGLE PROJECTION				NETWORK FILE NAME 031671		SIZE B	DRAWING NO 031671
							REV 02

