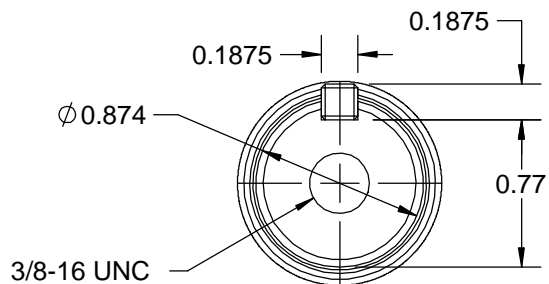
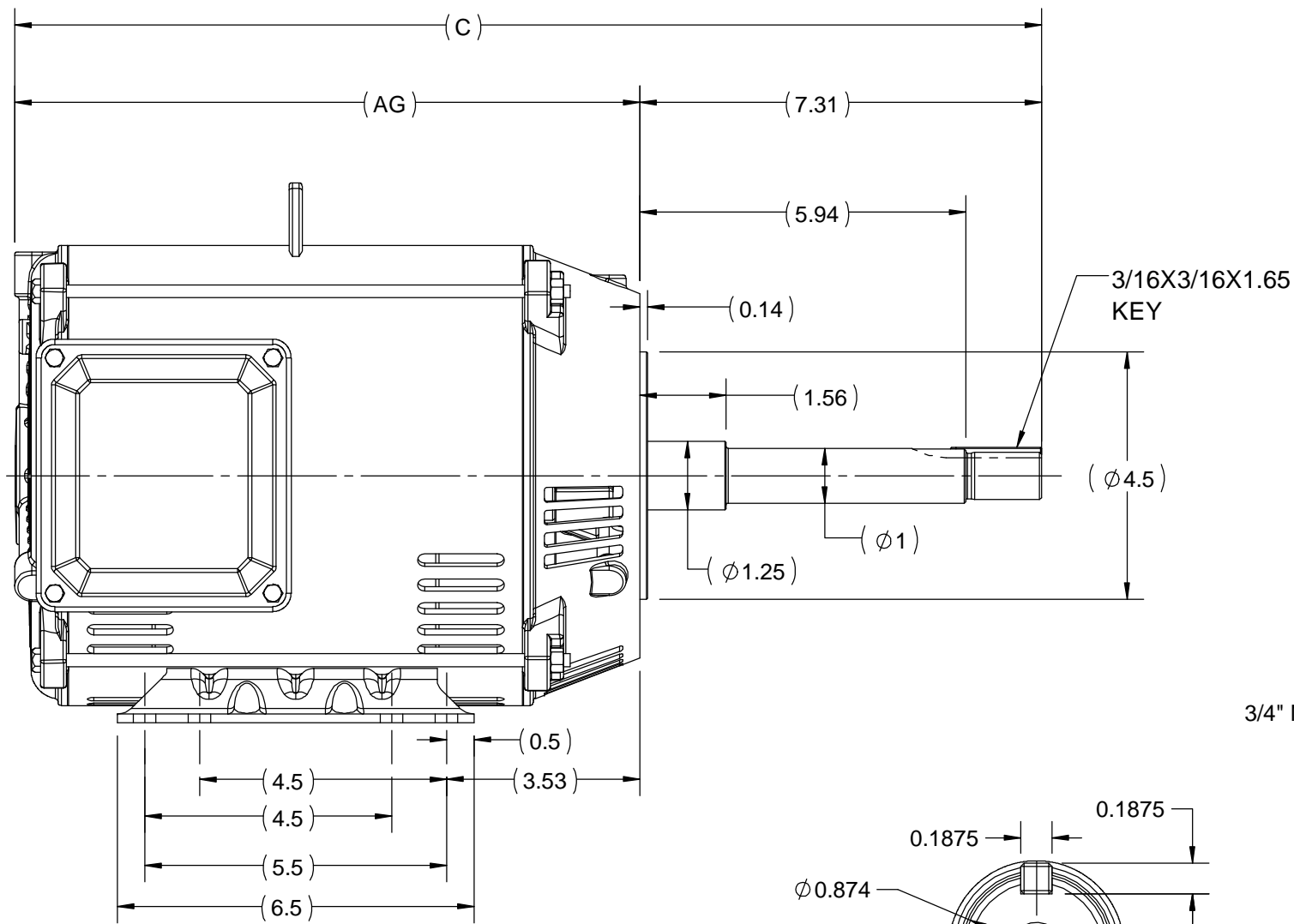


B

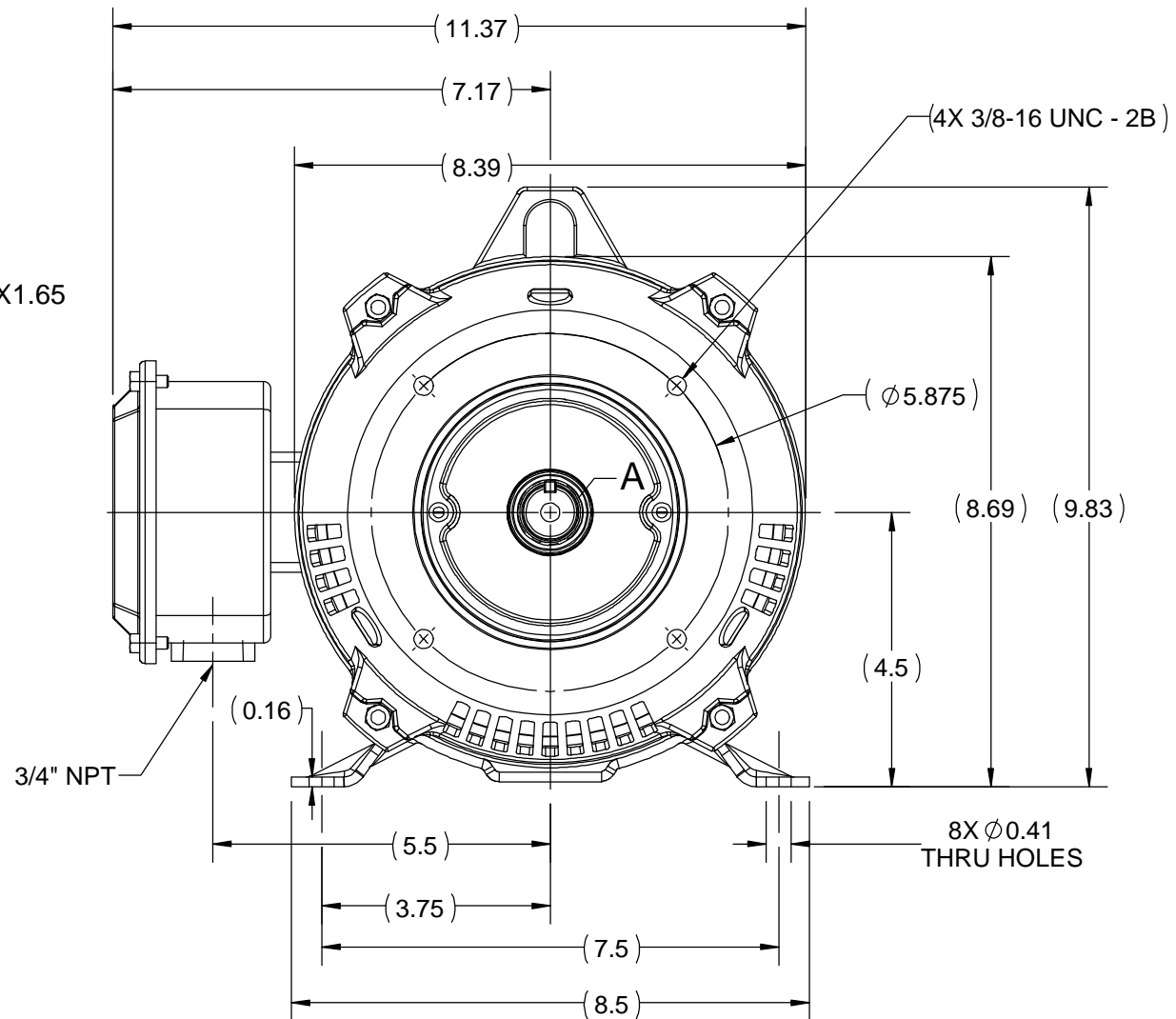
B

A

A

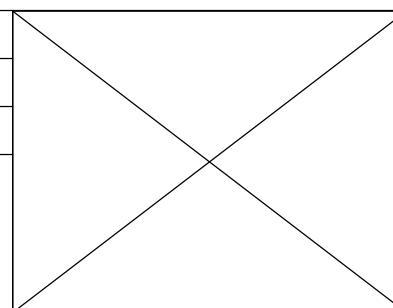


DETAIL A



182JP	17.7	10.4
184JP	18.7	11.4
FRAME	C	AG

DRAWING REVISION A	REVISION BY MSH	DATE 18/04/2018
ECO ECO-0143284	APPROVED BY SBD	DATE 18/04/2018
ECO DESCRIPTION NEW DRAWING RELEASE		
<small>COPYRIGHT REGAL BELOIT AMERICA, INC. ALL RIGHTS RESERVED. PROPRIETARY AND CONFIDENTIAL INFORMATION - THIS DOCUMENT IS THE PROPERTY OF REGAL BELOIT AMERICA, INC. ("OWNER") AND CONTAINS OWNER'S PROPRIETARY INFORMATION. ANY PERSON, CORPORATION OR OTHER FIRM RECEIVING IT IS DEEMED, BY RECEIVING IT, TO AGREE THAT IT, AND/OR ANY PART OF IT, SHALL NOT BE DISCLOSED TO ANY PERSON, CORPORATION OR OTHER ENTITY, DUPLICATED, AND/OR USED, EXCEPT AS EXPRESSLY APPROVED IN WRITING IN ADVANCE BY OWNER. THIS DOCUMENT SHALL BE RETURNED TO OWNER UPON REQUEST. IT MAY BE SUBJECT TO CERTAIN RESTRICTIONS UNDER APPLICABLE EXPORT CONTROL LAWS AND REGULATIONS.</small>		



DRAWN BY MSH	REGAL™ Regal Beloit America, Inc.	
DATE 18/04/2018	DESCRIPTION OUTLINE 182/184JP FR ODP RS	
APPROVED BY SBD	MATERIAL	PROCESS/FINISH
DATE 18/04/2018	SIZE B	DRAWING NUMBER SS600205
REFERENCE	SHEET 1 OF 1	