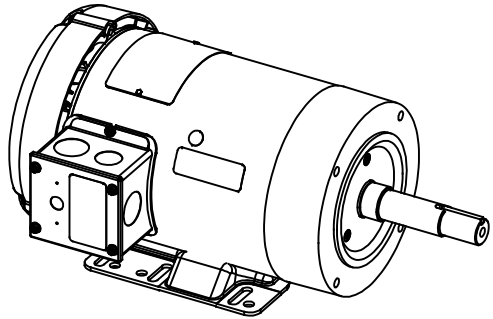
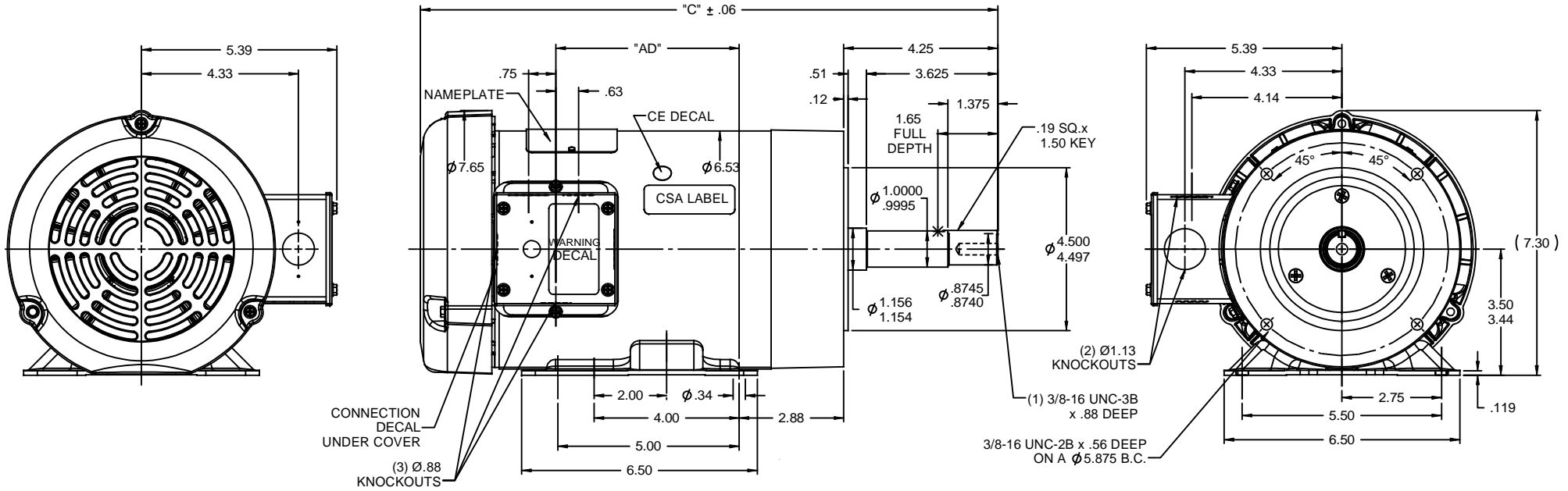


RBC PROPRIETARY AND CONFIDENTIAL INFORMATION
 This document is the property of REGAL BELOIT CORPORATION ("RBC") including its subsidiaries and divisions and contains proprietary information of RBC. This document is loaned on the express condition that neither it nor the information contained therein shall be disclosed to others without the express written consent of RBC, and that the information shall be used by the recipient only as approved expressly by RBC. This document shall be returned to RBC upon its request. This document may be subject to certain restrictions under U.S. export control laws and regulations.



| DASH # | "C" | "AD" |
|--------|-------|------|
| 700 | 15.42 | 4.55 |
| 750 | 15.92 | 5.05 |
| 800 | 16.42 | 5.55 |
| | | |
| | | |

NOTE:
 1) GASKETS THROUGHOUT
 MAXIMUM FACE RUNOUT TO BE .004 T.I.R
 MAXIMUM PILOT ECCENTRICITY .004 T.I.R
 PERMISSIBLE SHAFT RUNOUT .002 T.I.R

| NO | | REVISION | BY & DATE | CHK | ANG | FINISH | FINISH | PAGE | OF |
|----|--|------------------------|-----------|-----|------|--------|--------|----------|---------------|
| | | THIRD ANGLE PROJECTION | | RFP | PREV | | | SIZE | DRAWING NO |
| | | | | | | | | B | 028958 |
| | | | | | | | | | REV |

| TOLERANCES UNLESS SPECIFIED | | MARATHON ELECTRIC | DRAWN VS 08/13/09 |
|-----------------------------|--------|-----------------------|-------------------|
| DEC | INCHES | | |
| x | ±.1 | | APPR VS 08/13/09 |
| .xx | ±.03 | TITLE | SCALE 3:8 |
| .xxx | ±.005 | OUTLINE - 140JM FRAME | REF 028950 |
| .xxx | ±.005 | TEFC - RIGID | FMF |
| .xxx | ±.005 | MATL | |