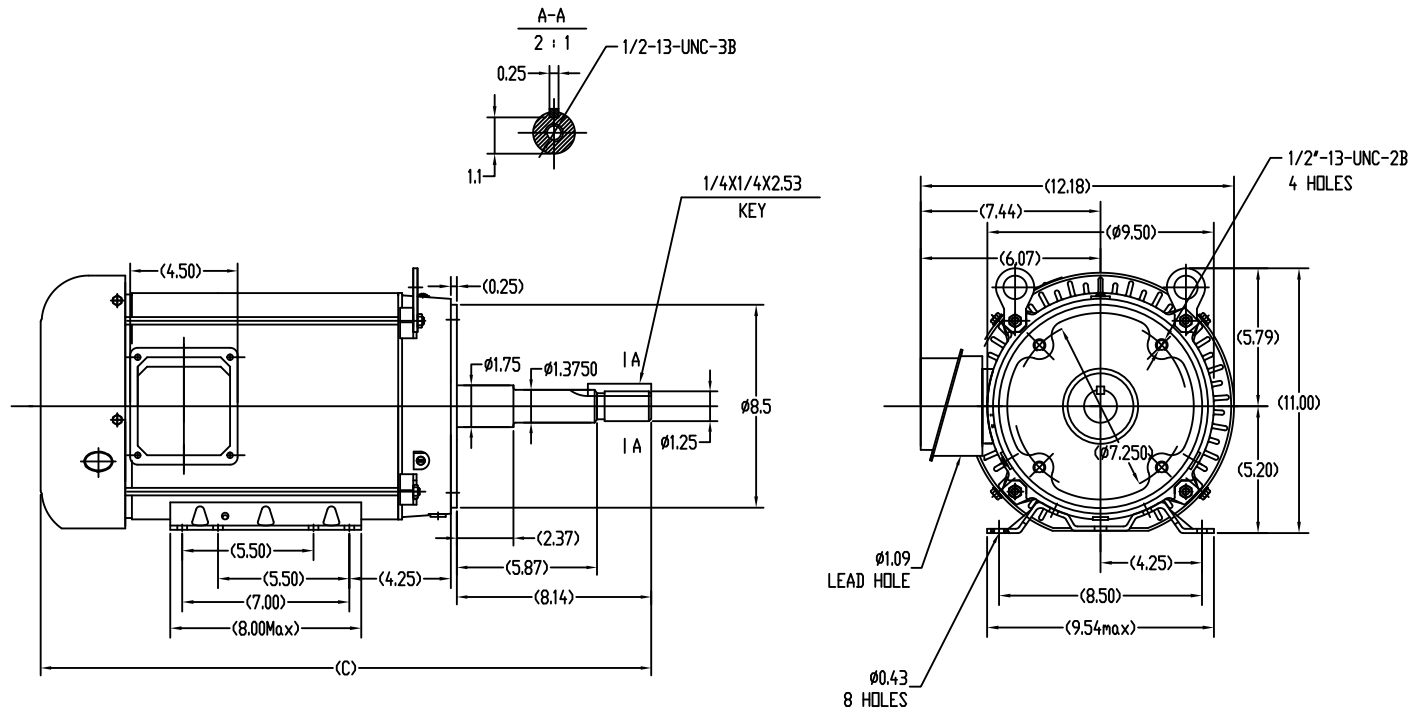


SS620827



213TC	24.01
215TC	25.78
FRAME	C

TOLERANCES UNLESS SPECIFIED		DRAWN ZYH 4/13/2017	
DEC.	INCHES	CHK	APPD
	±.1		
	±.03	TITLE OUTLINE	
	±.005	SCALE 1=4	
1 UPDATED KEY DETAILS		REF	
XIAOWEI ZHU29/05/2017		PREV WUXI	
NO.	REVISION	BY & DATE	FINISH
THIS DRAWING IN DESIGN AND DETAIL IS OUR PROPERTY AND MUST NOT BE USED EXCEPT IN CONNECTION WITH OUR WORK. ALL RIGHTS OF DESIGN AND INVENTION ARE RESERVED. THIS IS AN ELECTRONICALLY GENERATED DOCUMENT - DO NOT SCALE THIS PRINT		CHK ANG 2/1/2	REF
		APP	CAD FILE SS620827
		DIST	SIZE DRAWING NO. B SS620827
			REV. B