

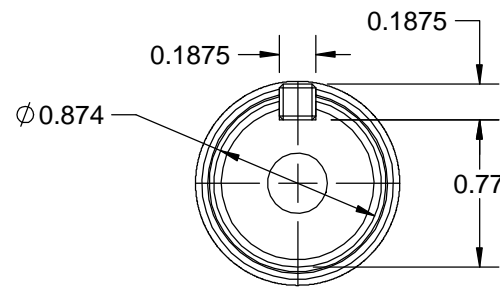
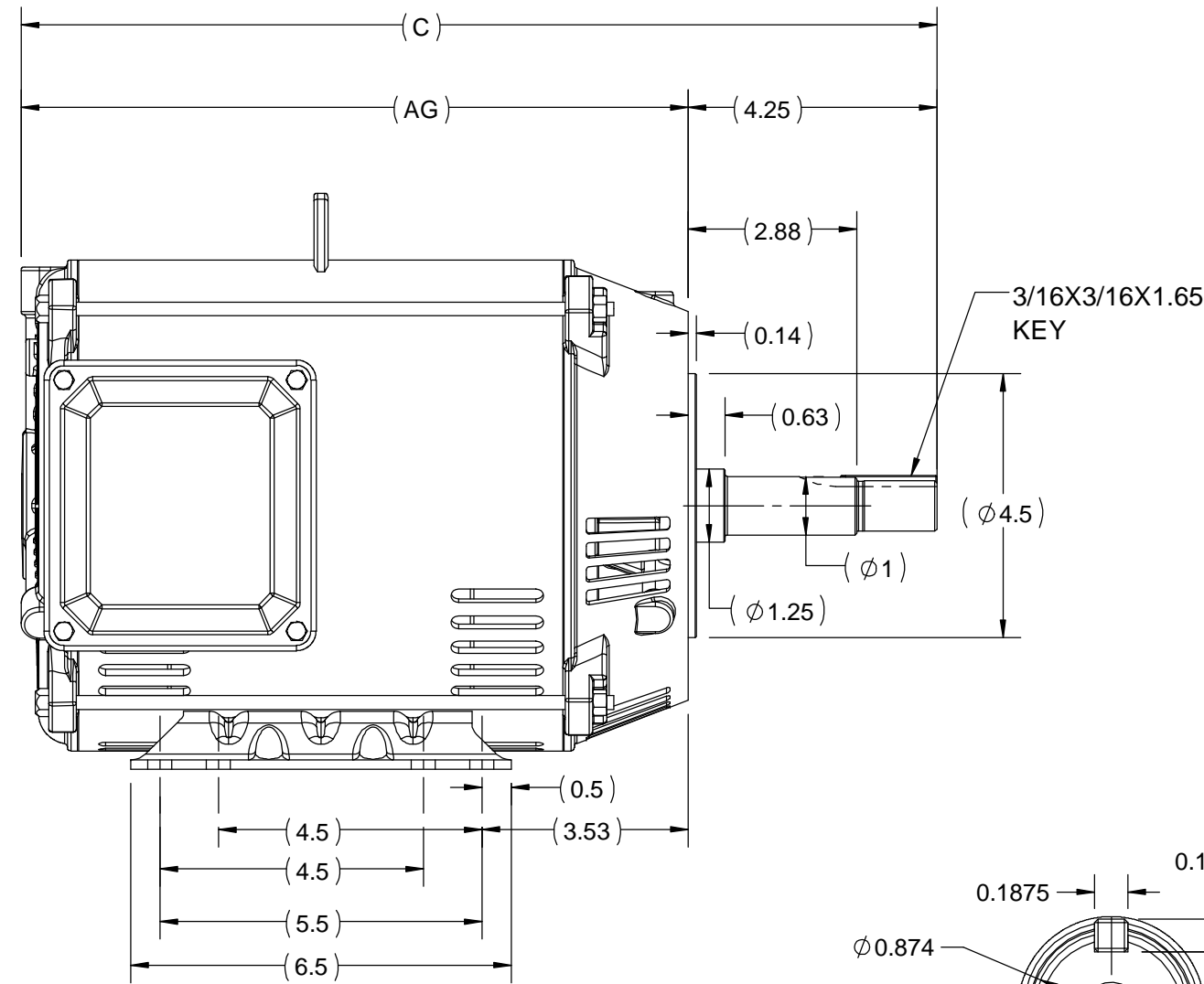
4

3

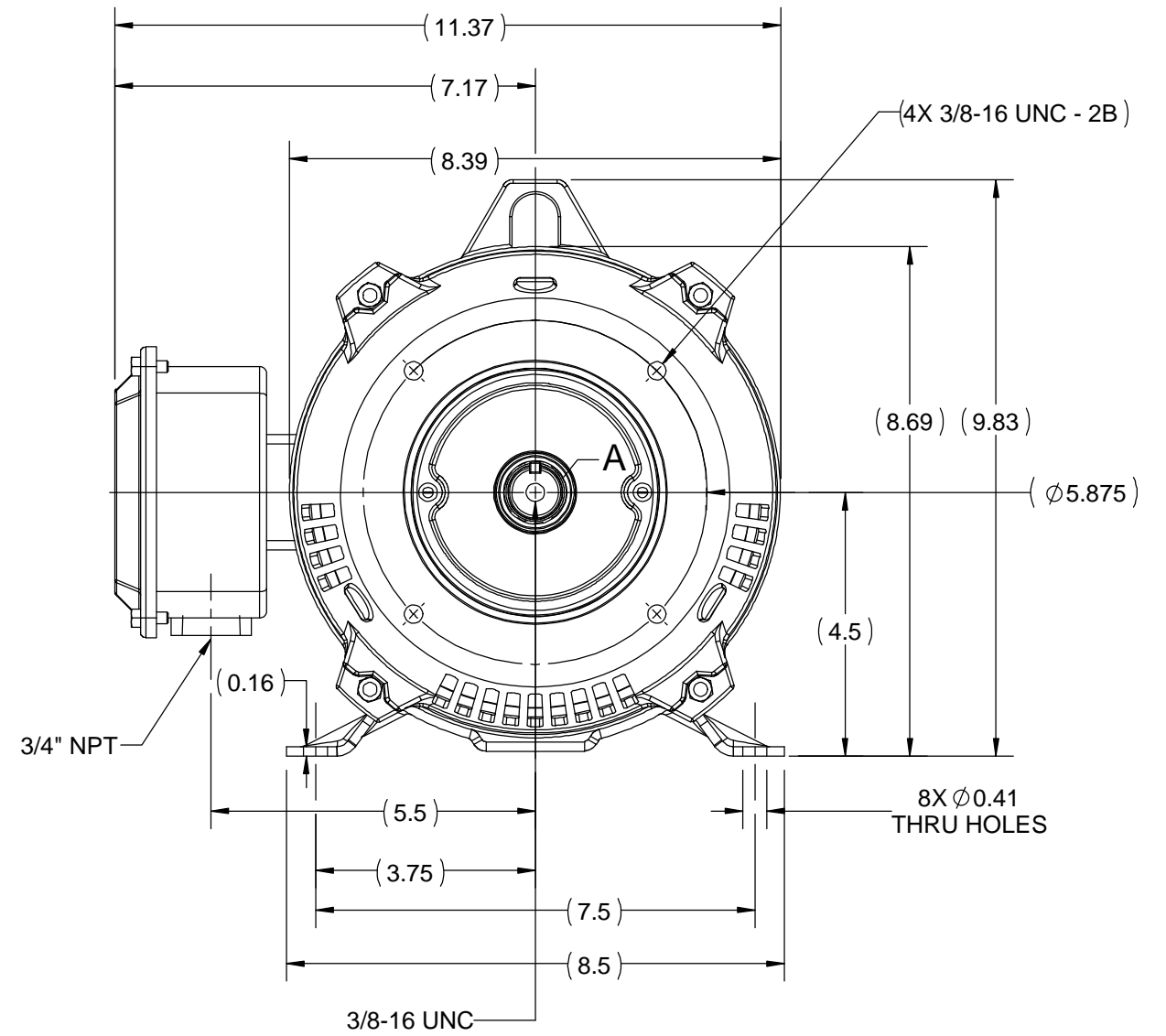
Uncontrolled Copy

2

1



DETAIL A



B

B

A

A

182JM	14.64	10.4
184JM	15.64	11.4
FRAME	C	AG

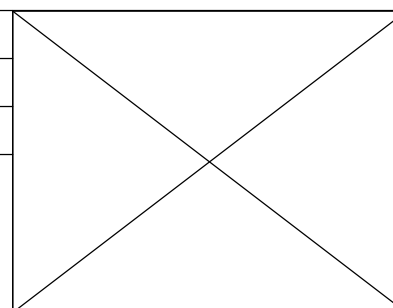
4

3

2

1

DRAWING REVISION A	REVISION BY MSH	DATE 29/03/2018
ECO ECO-0141499	APPROVED BY SBD	DATE 29/03/2018
ECO DESCRIPTION <b>NEW DRAWING RELEASE</b> COPYRIGHT REGAL BELOIT AMERICA, INC. ALL RIGHTS RESERVED. PROPRIETARY AND CONFIDENTIAL INFORMATION - THIS DOCUMENT IS THE PROPERTY OF REGAL BELOIT AMERICA, INC. ("OWNER") AND CONTAINS OWNER'S PROPRIETARY INFORMATION. ANY PERSON, CORPORATION OR OTHER FIRM RECEIVING IT IS DEEMED, BY RECEIVING IT, TO AGREE THAT IT, AND/OR ANY PART OF IT, SHALL NOT BE DISCLOSED TO ANY PERSON, CORPORATION OR OTHER ENTITY, DUPLICATED, AND/OR USED, EXCEPT AS EXPRESSLY APPROVED IN WRITING IN ADVANCE BY OWNER. THIS DOCUMENT SHALL BE RETURNED TO OWNER UPON REQUEST. IT MAY BE SUBJECT TO CERTAIN RESTRICTIONS UNDER APPLICABLE EXPORT CONTROL LAWS AND REGULATIONS.		



DRAWN BY PRIYA	<b>REGAL</b> ™ Regal Beloit America, Inc.	
DATE 12/03/2018	DESCRIPTION <b>OUTLINE</b> 182/184JM FR ODP RS	
APPROVED BY SBD	MATERIAL	PROCESS/FINISH
DATE 12/03/2018	DRAWING NUMBER <b>SS600204</b>	
REFERENCE	SIZE <b>B</b>	SHEET 1 OF 1
THIRD ANGLE PROJECTION		