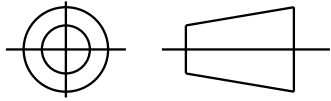


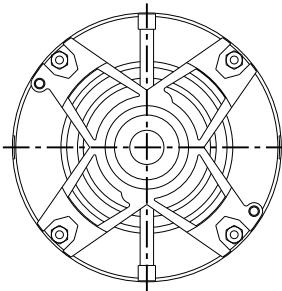
THIRD ANGLE PROJECTION



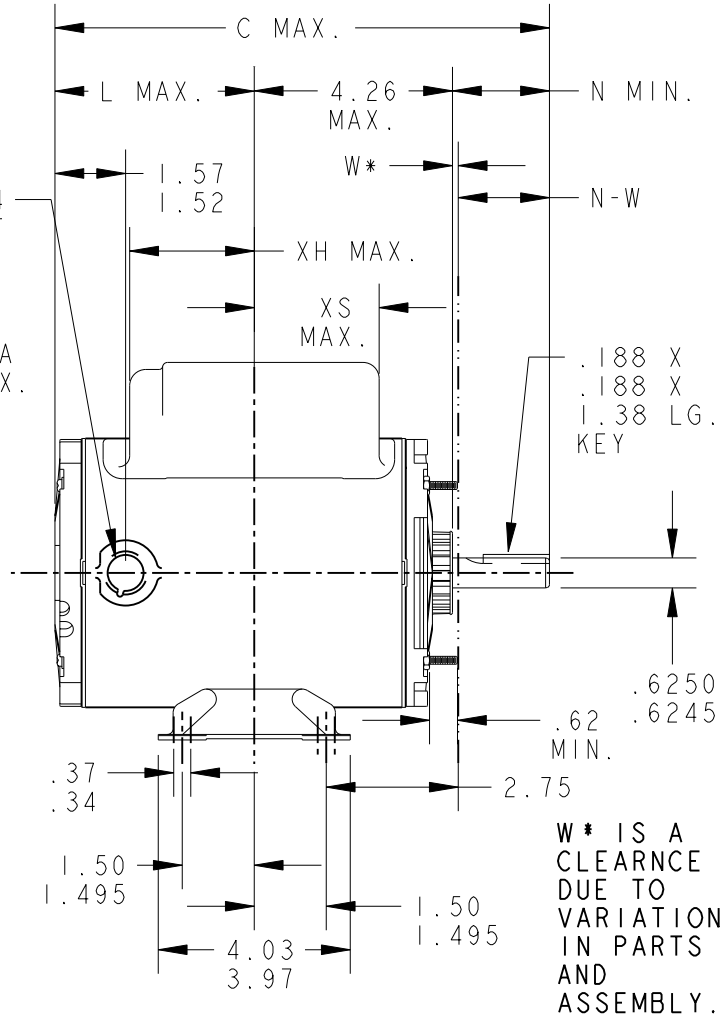
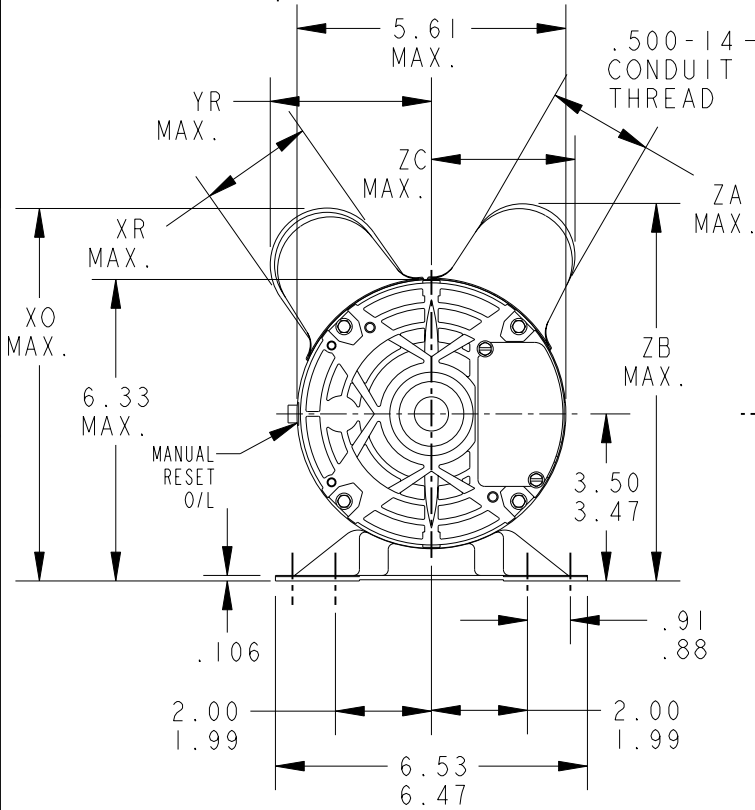
REVISIONS

REV.	DESCRIPTION	DATE	APPROVED
1	PER IS04-2287 SHOWED OVERLOAD LOCATION	09/10/04	DEBRAJ
2	PER IS05-3229	01/04/06	GOVARDAN

52A109397




VIEW SHOWING PE VENTILATION OPENINGS



W\* IS A CLEARNCE DUE TO VARIATION IN PARTS AND ASSEMBLY.

I	KC	35	56	9.89	3.75	1.88	2.01 1.79	2.18	2.34	7.61	2.10	3.20	7.30	1.60	2.86	
P	TYPE	GE SIZE	NEMA FR	C	L	N	N-W	XH	XS	XO	XR	YR	ZB	ZA	ZC	

SIGNATURES		DATE
MODEL	M.M.E	02/23/94
DETAIL	.	.
CHECKED	.	.
ENGRG	.	.
MFG	.	.
QUALITY	.	.
ISSUED	M.M.E	02/23/94
SOLID MODEL: 52A109397		



**REGAL-BELOIT CORPORATION**

**TITLE**

**OUTLINE**

**FORM N - GENERAL PURPOSE MOTOR - DRIP PROOF - WELDED BASE - BALL OR SLEEVE BEARING**

SIZE: DRAWING **52A109397** REV **2**

SCALE: 1.000 REF. No: . SHEET 1 of 1

FOR ADDITIONAL INFO REFER TO:  
 APPLIED PRACTICES  
 DIMENSIONS ARE IN INCHES ✓  
 MATERIAL