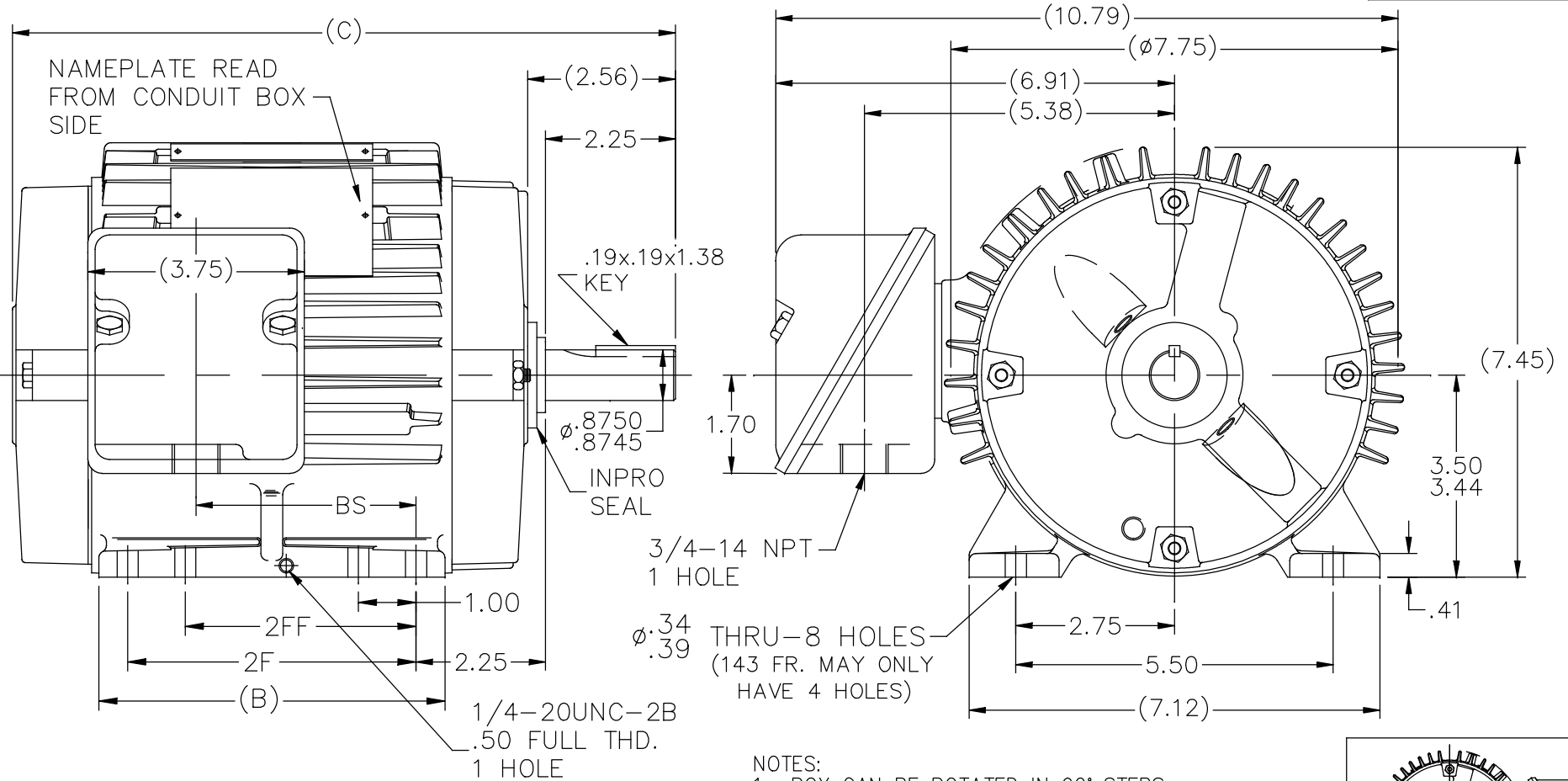
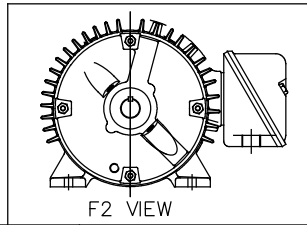


104326



- NOTES:
- 1- BOX CAN BE ROTATED IN 90° STEPS.
 - 2- BOX CAN BE MOUNTED ON OPPOSITE SIDE BY REMOVING BRACKETS AND TURNING FRAME 180°.
 - 3- FRONT GREASE HOLE LOCATIONS SHOWN WITH HIDDEN LINES.



DASH	FR.	B	C	BS	2F	2FF
525	143T	5.00	10.43	2.81	4.00	-
625	145T	6.00	11.43	3.81	5.00	4.00

NO.	REVISION	BY & DATE	CHK	ANG	TOLERANCES UNLESS SPECIFIED		FINISH	DRAWN PGK 06-24-1997
					DEC.	INCHES		
8	UPDATED SHAFT EXTENSION	MVG 05/19/2017	PVR					CHK ML 06-27-1997
7	UPDATED F2 VIEW AND LOGO	SL 04/21/2016						APPD SAT 07-10-1997
6	ADDED F2 VIEW	UD 11/22/13			.X	±.1		SCALE 3=8
5	UPDATED PER ECO-0031264	PN 03-07-2013	ML	.XX	±.03		TITLE OUTLINE	REF
4	CHG'D TO HAVE 8 MTG. HOLES, WAS 4 CN 29200-3715	TAT 08-31-2004	ML	.XXX	±.005		140T FR. - BB - TS - TENV - INPRO SEAL	FMF
3	REDRAWN IN AUTOCAD	TAT 06-29-2004		.XXXX	±.0005		MAT'L.	PREV
			RFP				CAD FILE 104326	SIZE A
			DIST	WP				DRAWING NO. 104326
								PAGE OF 8
								REV. 8

THIS DRAWING IN DESIGN AND DETAIL IS OUR PROPERTY AND MUST NOT BE USED EXCEPT IN CONNECTION WITH OUR WORK ALL RIGHTS OF DESIGN AND INVENTION ARE RESERVED THIS IS AN ELECTRONICALLY GENERATED DOCUMENT - DO NOT SCALE THIS PRINT