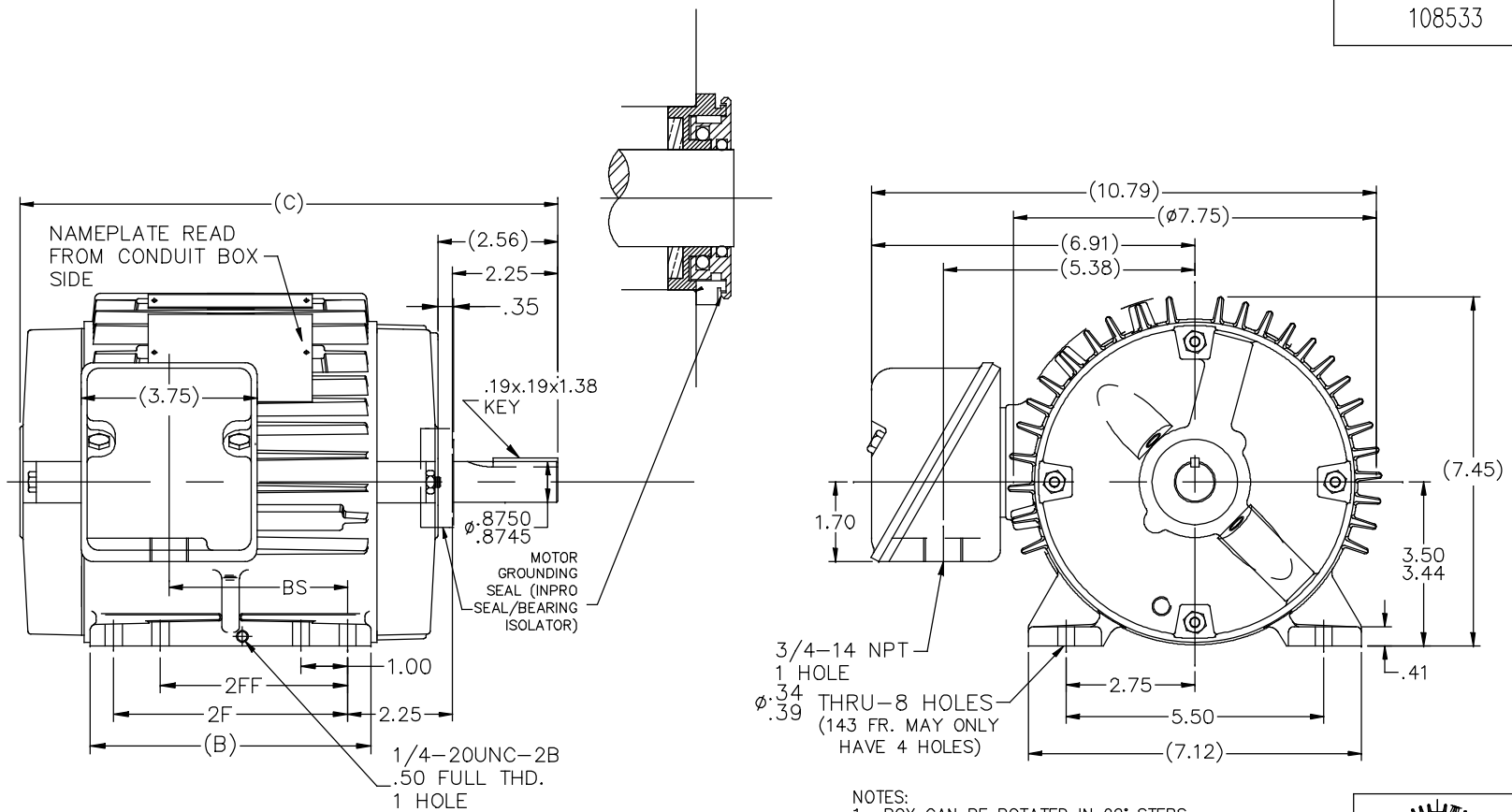


108533



DASH	B	C	BS	2F	2FF
525	5.00	10.43	2.81	4.00	-
625	6.00	11.43	3.81	5.00	4.00

NO.	REVISION	BY & DATE	CHK	ANG
B	UPDATED INPRO SEAL	MVG 10/30/2017	PVR	.XXX
A	NEW DRAWING	MVG 05/03/2017	PVR	.XXXX

TOLERANCES UNLESS SPECIFIED	
DEC.	INCHES
.X	±.1
.XX	±.03
.XXX	±.005
.XXXX	±.0005
ANG	±7'30"



Regal Beloit America, Inc.

TITLE	OUTLINE
140T FR. - BB - TS - TENV - INPRO SEAL	
MAT'L.	
FINISH	

DRAWN	MVG	05/03/2017
CHK	PVR	05/03/2017
APPD	PVR	05/03/2017
SCALE	3=8	
REF	104326	
FMF		
PREV		

THIS DRAWING IN DESIGN AND DETAIL IS OUR PROPERTY AND MUST NOT BE USED EXCEPT IN CONNECTION WITH OUR WORK ALL RIGHTS OF DESIGN AND INVENTION ARE RESERVED THIS IS AN ELECTRONICALLY GENERATED DOCUMENT - DO NOT SCALE THIS PRINT

RFP	CAD FILE	108533
DIST	WP	

SIZE	DRAWING NO.	PAGE	OF	REV.
A	108533			B