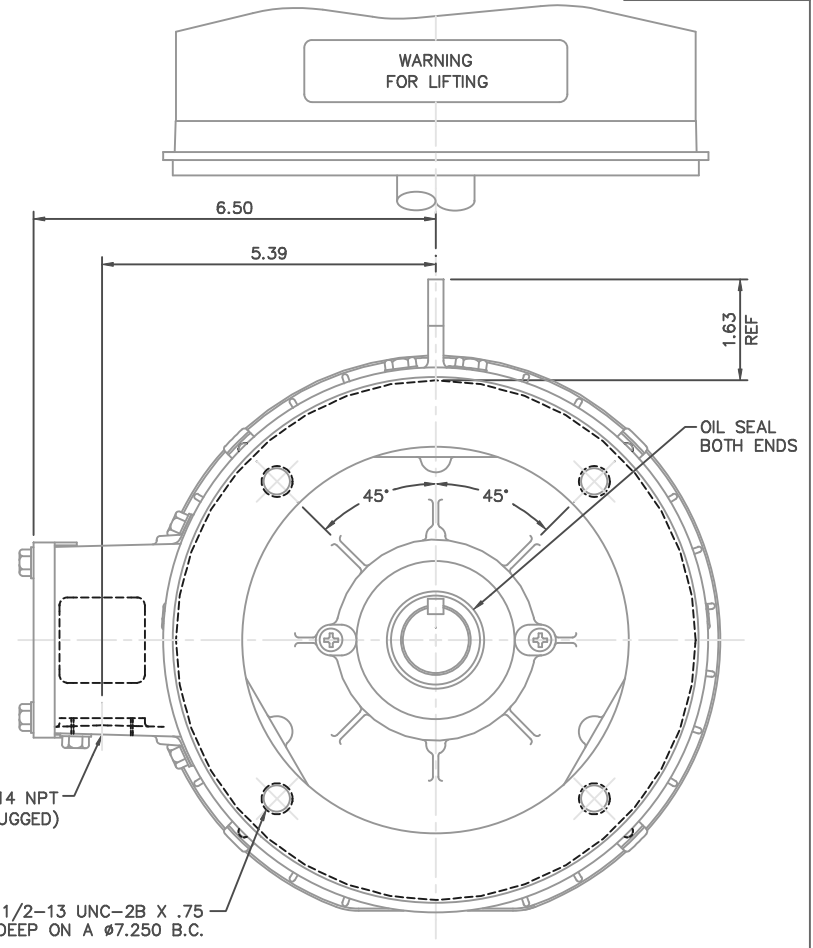


.25 SQ. X 1.75 KEY S.S.



MAXIMUM FACE RUNOUT TO BE .004 T.I.R.  
 MAXIMUM PILOT ECCENTRICITY TO BE .004 T.I.R.  
 PERMISSIBLE SHAFT RUNOUT TO BE .002 T.I.R.

**SPECIAL FEATURES:**

- 1) SHAFT SEALS & V-RING
- 2) DRAIN HOLES IN FRAME & CONDUIT BOX
- 3) STAINLESS STEEL SHAFT, HARDWARE & NAMEPLATE
- 4) GASKETS THROUGHOUT

DASH NO.	"C"	"AD"
900	14.47	8.25
950	14.97	8.75
1000	15.47	9.25
1050	15.97	9.75
1100	16.47	10.25
1150	16.97	10.75

NO.		REVISION	BY & DATE	CHK	ANG	±1/2'	FINISH	CAD FILE	035461ME	SIZE	DRAWING NO.	REV.
THIS DRAWING IN DESIGN AND DETAIL IS OUR PROPERTY AND MUST NOT BE USED EXCEPT IN CONNECTION WITH OUR WORK ALL RIGHTS OF DESIGN AND INVENTION ARE RESERVED THIS IS AN ELECTRONICALLY GENERATED DOCUMENT - DO NOT SCALE THIS PRINT				RFP						B	035461ME	
				DIST								

TOLERANCES UNLESS SPECIFIED	
DEC.	INCHES
.X	±.1
.XX	±.03
.XXX	±.005
.XXXX	±.0005



TITLE: OUTLINE - 180TC FRAME  
 TEFC - "C" FACE  
 MAT'L: WASHGUARD

DRAWN	BUB 08/28/03
CHK	
APPD	
SCALE	1=2
REF	
FMF	
PREV	