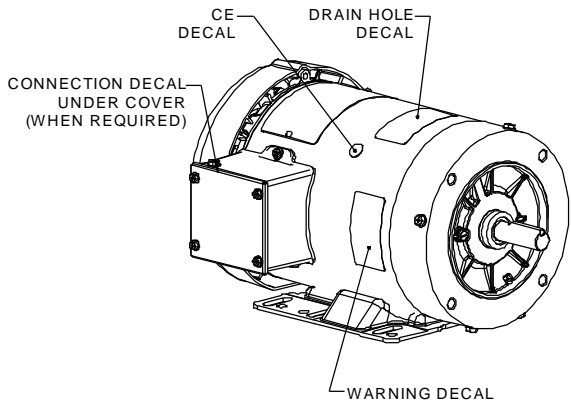
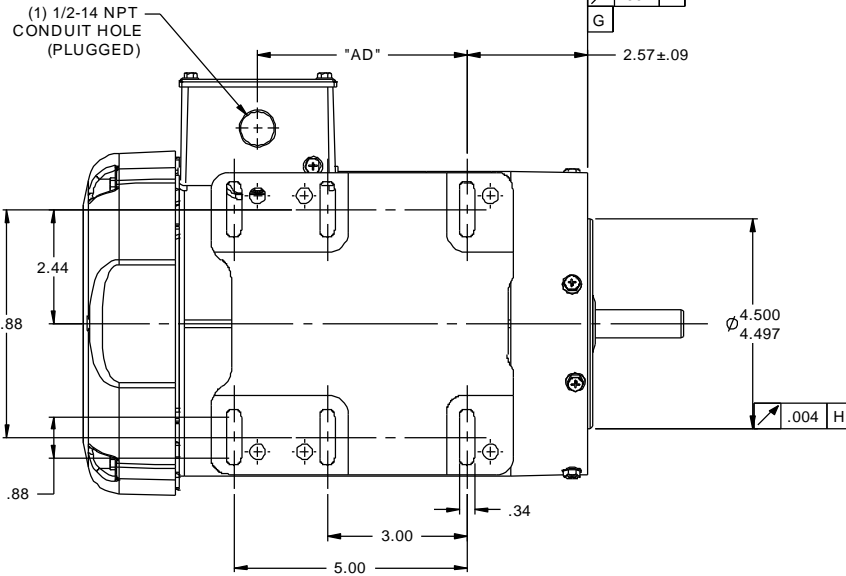


3/8-16 UNC-2B x .56 DEEP
(4) REQ'D. ON A Ø5.875 B.C.



WASHGUARD MOTOR

- SPECIAL FEATURES:
1. SHAFT SEALS & V-RING.
 2. PLUGGED DRAIN HOLES IN ENDBELLS & CONDUIT BOX.
 3. BUNA-N GASKETS THROUGHOUT.
 4. STAINLESS STEEL SHAFT, HARDWARE & NAMEPLATE.

DASH NO.	"C"	"AD"
700	12.87	4.50
725	13.12	4.75
750	13.37	5.00
775	13.62	5.25
800	13.87	5.50
825	14.12	5.75
850	14.37	6.00

TOLERANCES UNLESS SPECIFIED			DRAWN VS 1/23/2013
DEC	INCHES		CHK
X	±.1		APPR
XX	±.03		SCALE 3:8
XXX	±.005	TITLE OUTLINE - 56HC FRAME	REF 607-0004
XXXX	±.0005	TEFC - RIGID "C" FACE	FMF
NO	REVISION	MAT'L WASHGUARD	PAGE OF
	THIRD ANGLE PROJECTION	FINISH	REV
	BY & DATE	PREV	SIZE B
	CHK LANG ±1/2°	NETWORK FILE NAME 607-0004ME	DRAWING NO 607-0004ME