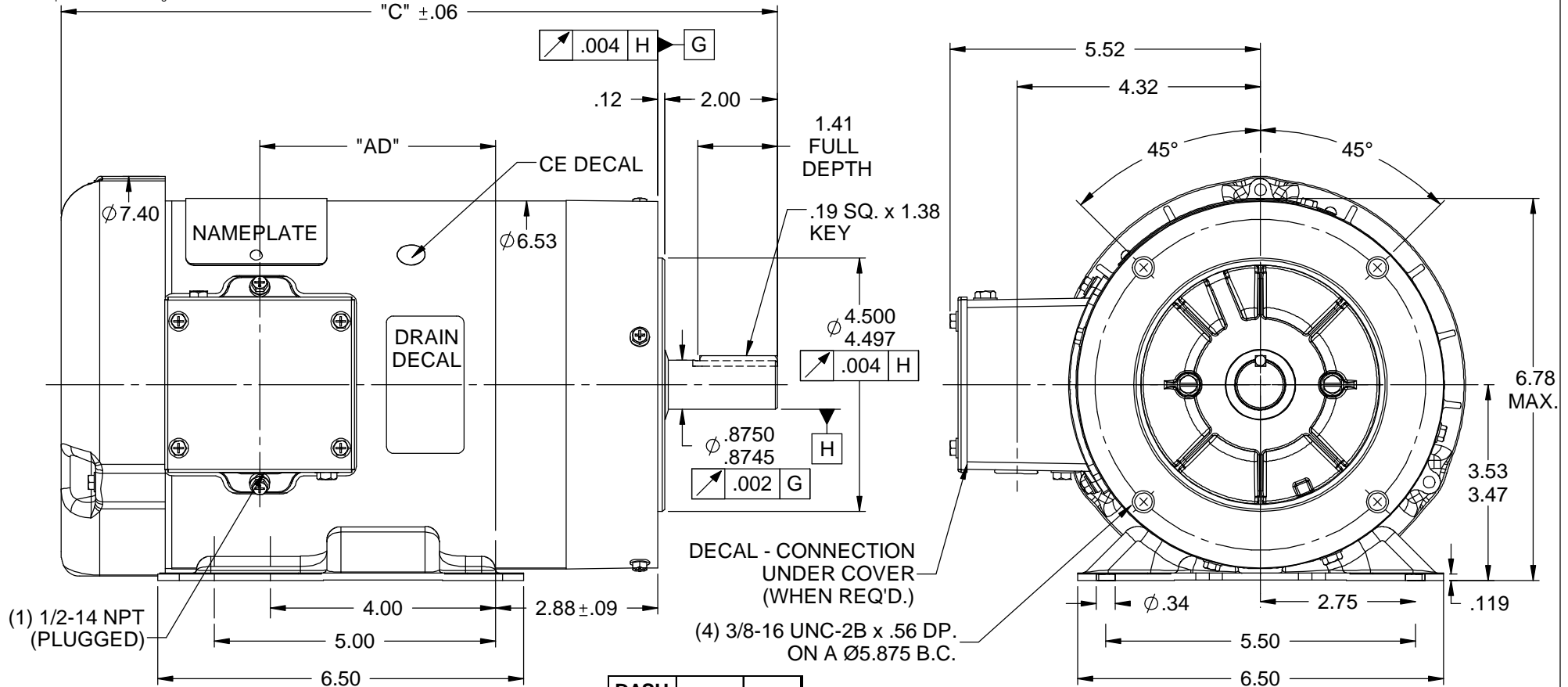


RBC PROPRIETARY AND CONFIDENTIAL INFORMATION

This document is the property of REGAL BELOIT CORPORATION ("RBC") including its subsidiaries and divisions and contains proprietary information of RBC. This document is loaned on the express condition that neither it nor the information contained therein shall be disclosed to others without the express written consent of RBC, and that the information shall be used by the recipient only as approved expressly by RBC. This document shall be returned to RBC upon its request. This document may be subject to certain restrictions under U.S. export control laws and regulations.



- NOTES:
- 1) SHAFT SEALS & V-RING.
  - 2) PLUGGED DRAIN HOLES IN ENDBELLS & CONDUIT BOX.
  - 3) GASKETS THROUGHOUT.
  - 4) STAINLESS STEEL SHAFT, HARDWARE, & NAMEPLATE

DASH NO.	"C"	"AD"
700	12.72	4.19
750	13.22	4.69
775	13.47	4.94
800	13.72	5.19

			TOLERANCES UNLESS SPECIFIED		MARATHON ELECTRIC	DRAWN VS 02/03/09
			DEC	INCHES		CHK
			.X	±.1		APPR VS 02/03/09
			.XX	±.03	TITLE OUTLINE - 140TC FRAME	SCALE 3:8
02	ADDED ITEM # 775 (145TTWR15503)	VS 04-09-2012	.XXX	±.005	TEFC - RIGID "C"	REF 028811
01	REMOVED KNOCKOUTS FROM BOX COVER ISAAC 10-3213	SAD 7/27/2010	GWS.XXXX	±.0005	MAT'L WASHGUARD	FMF 145TTWR14002
NO	REVISION	BY & DATE	CHK ANG	±1/2°	FINISH	PAGE OF
THIRD ANGLE PROJECTION			RFP	PREV	SIZE A	DRAWING NO 028811ME
			NETWORK FILE NAME 028811ME			REV 02