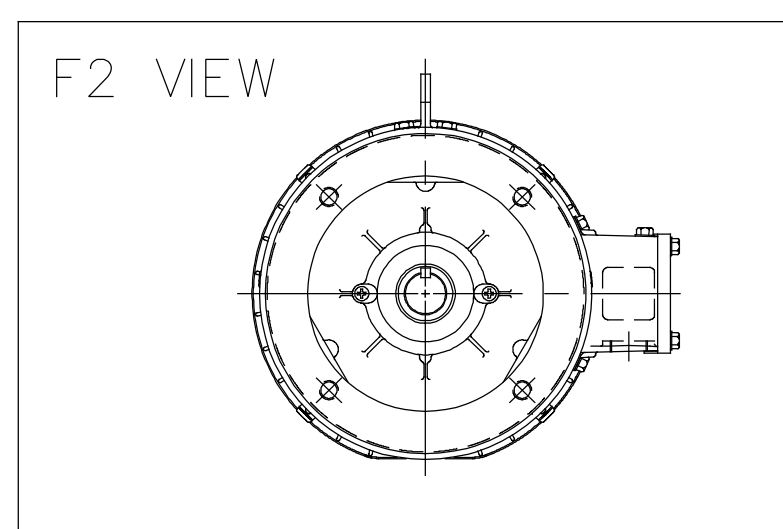
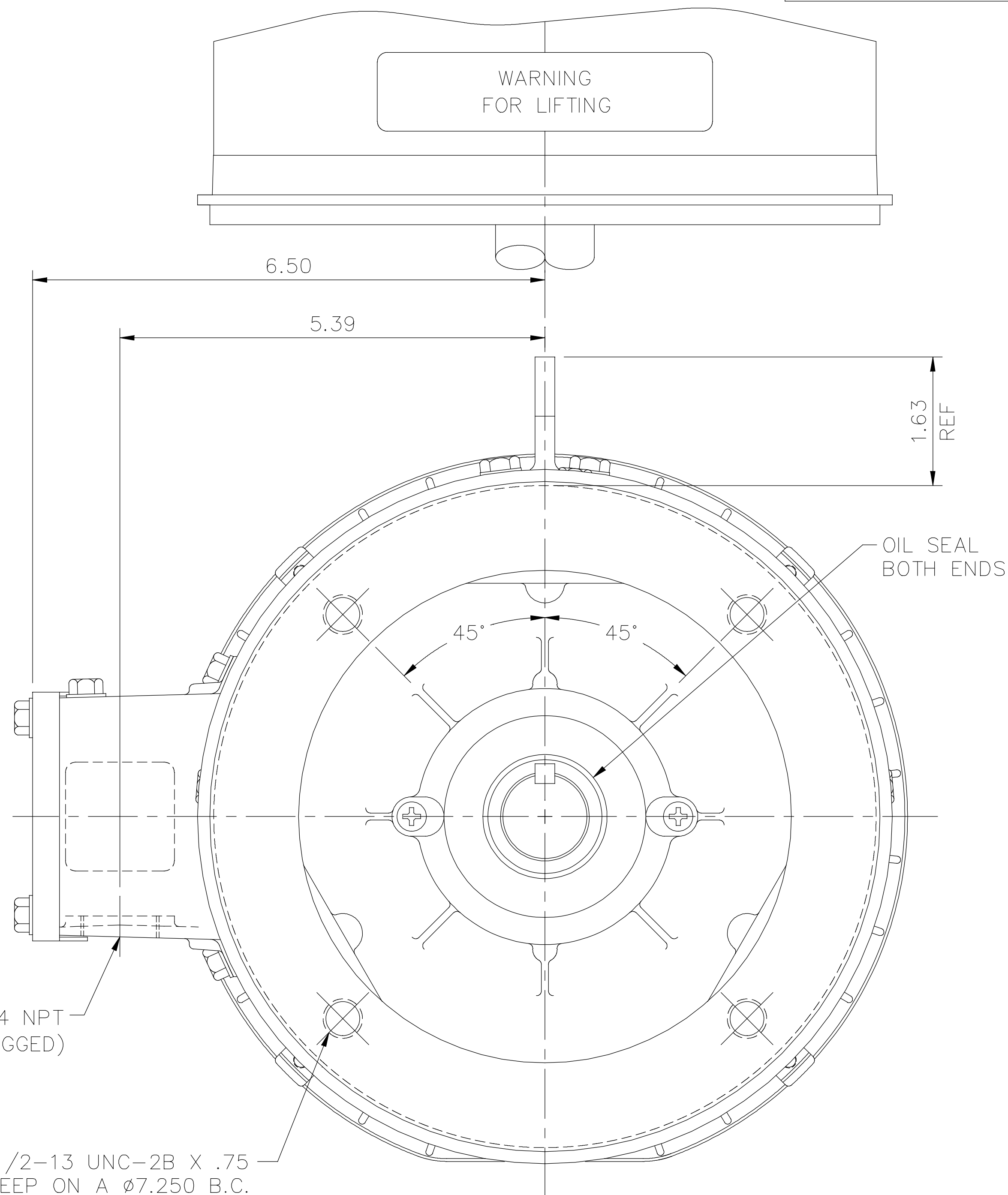


.25 SQ. X 1.75 KEY S.S.



DECAL CONNECTION UNDER COVER (WHEN REQ'D)

MAXIMUM FACE RUNOUT TO BE .004 T.I.R.
 MAXIMUM PILOT ECCENTRICITY TO BE .004 T.I.R.
 PERMISSIBLE SHAFT RUNOUT TO BE .002 T.I.R.

- SPECIAL FEATURES:**
- 1) SHAFT SEALS & V-RING
 - 2) DRAIN HOLES IN FRAME & CONDUIT BOX
 - 3) STAINLESS STEEL SHAFT, HARDWARE & NAMEPLATE
 - 4) GASKETS THROUGHOUT

DASH NO.	"C"	"AD"
900	14.47	8.25
950	14.97	8.75
1000	15.47	9.25
1050	15.97	9.75
1100	16.47	10.25
1150	16.97	10.75

NO.	REVISION	BY & DATE	TOLERANCES UNLESS SPECIFIED		MAT'L.	FINISH	CAD FILE	DRAWING NO.	REV.	
			DEC.	INCHES						
03	F2 VIEW ADDED	NK05-24-2019	.XX	±.03						
02	PLUGGED CON BOX DR HOLE WAS IN BOTTOM PER 91496	GWS 12/17/07	PG	.XXX	±.005					
01	ADDED "CE" DECAL; ECR 84920	KLS 11/30/05	RDW	.XXXX	±.0005					
			CHK	ANG	±1/2'					
			RFP							
			DIST							
THIS DRAWING IN DESIGN AND DETAIL IS OUR PROPERTY AND MUST NOT BE USED EXCEPT IN CONNECTION WITH OUR WORK ALL RIGHTS OF DESIGN AND INVENTION ARE RESERVED THIS IS AN ELECTRONICALLY GENERATED DOCUMENT - DO NOT SCALE THIS PRINT						MARATHON ELECTRIC TITLE: OUTLINE- 180TC FRAME TEFC- "C" FACE		DRAWN LST 10/15/03 CHK APPD RW 10/15/03 SCALE 1=2 REF 035461ME FMF 139064 PREV		
							SIZE	DRAWING NO.		REV.
							B	035481		03