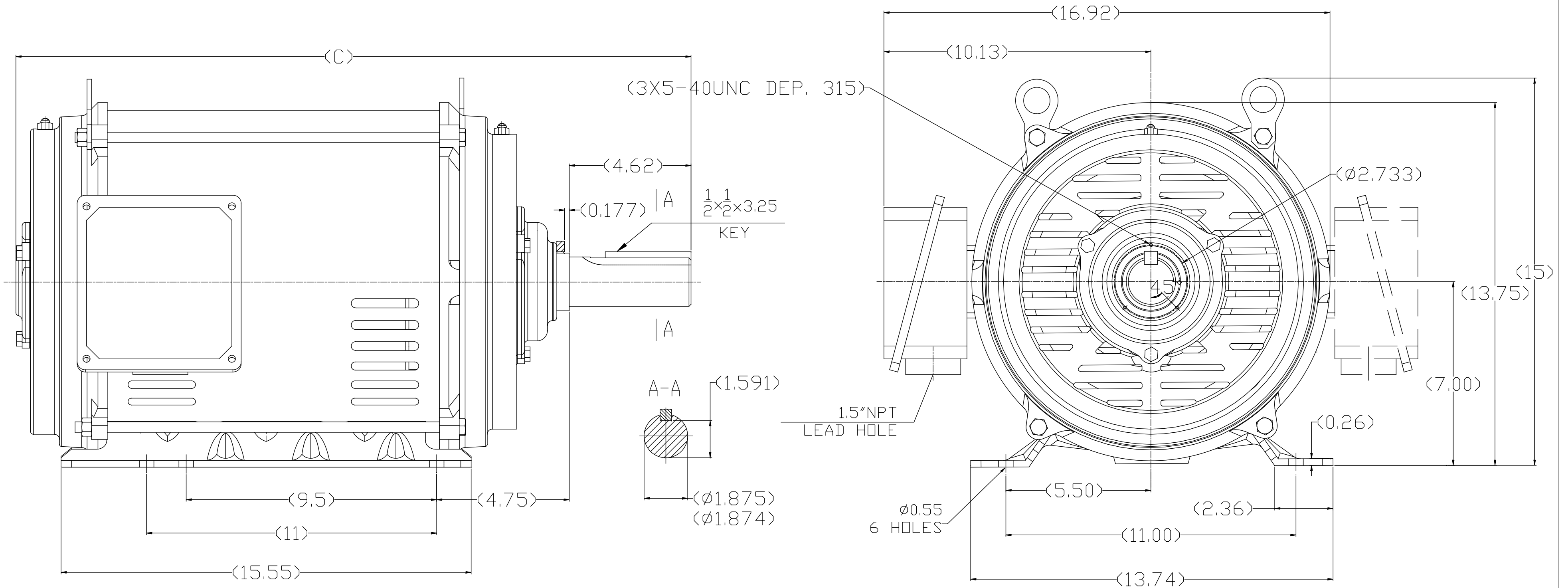


SS620687



284T	25.71	YES
286T	27.09	YES
FRAME	C	F1/F2

		TOLERANCES UNLESS SPECIFIED				DRAWN Xiaowei Zhu	
		DEC.	INCHES			CHK	
		.X	±.1			APPD	
		.XX	±.03	TITLE		SCALE 1:1	
		.XXX	±.005	284/286T FR.-ODP-ROLLED STEEL		REF	
		.XXX	±.0005	MAT'L.		FMF	
		ANG	±1/2°	FINISH		PREV	
NO.	REVISION	BY & DATE	CHK	ANG	FINISH	SIZE	DRAWING NO. PAGE OF REV.
			RFP	Wuxi	CAD FILE	B	SS620687
THIS DRAWING IN DESIGN AND DETAIL IS OUR PROPERTY AND MUST NOT BE USED EXCEPT IN CONNECTION WITH OUR WORK ALL RIGHTS OF DESIGN AND INVENTION ARE RESERVED THIS IS AN ELECTRONICALLY GENERATED DOCUMENT - DO NOT SCALE THIS PRINT				DIST			



REGAL REGAL-BELOIT CORPORATION
OUTLINE
284/286T FR.-ODP-ROLLED STEEL