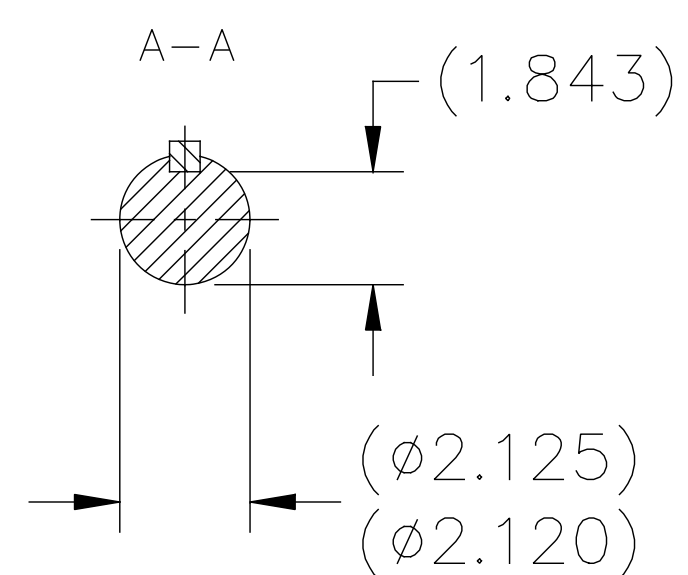
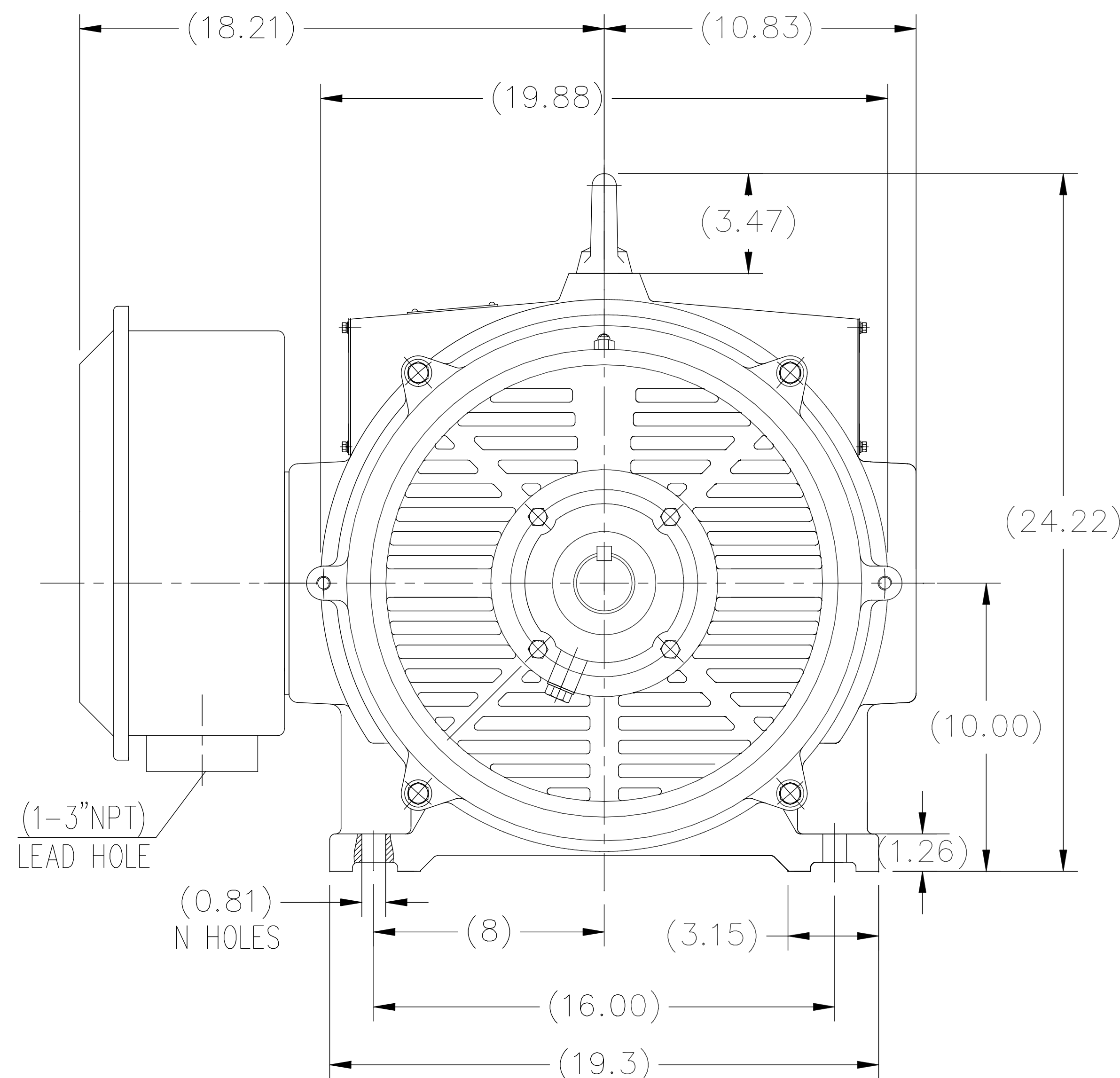
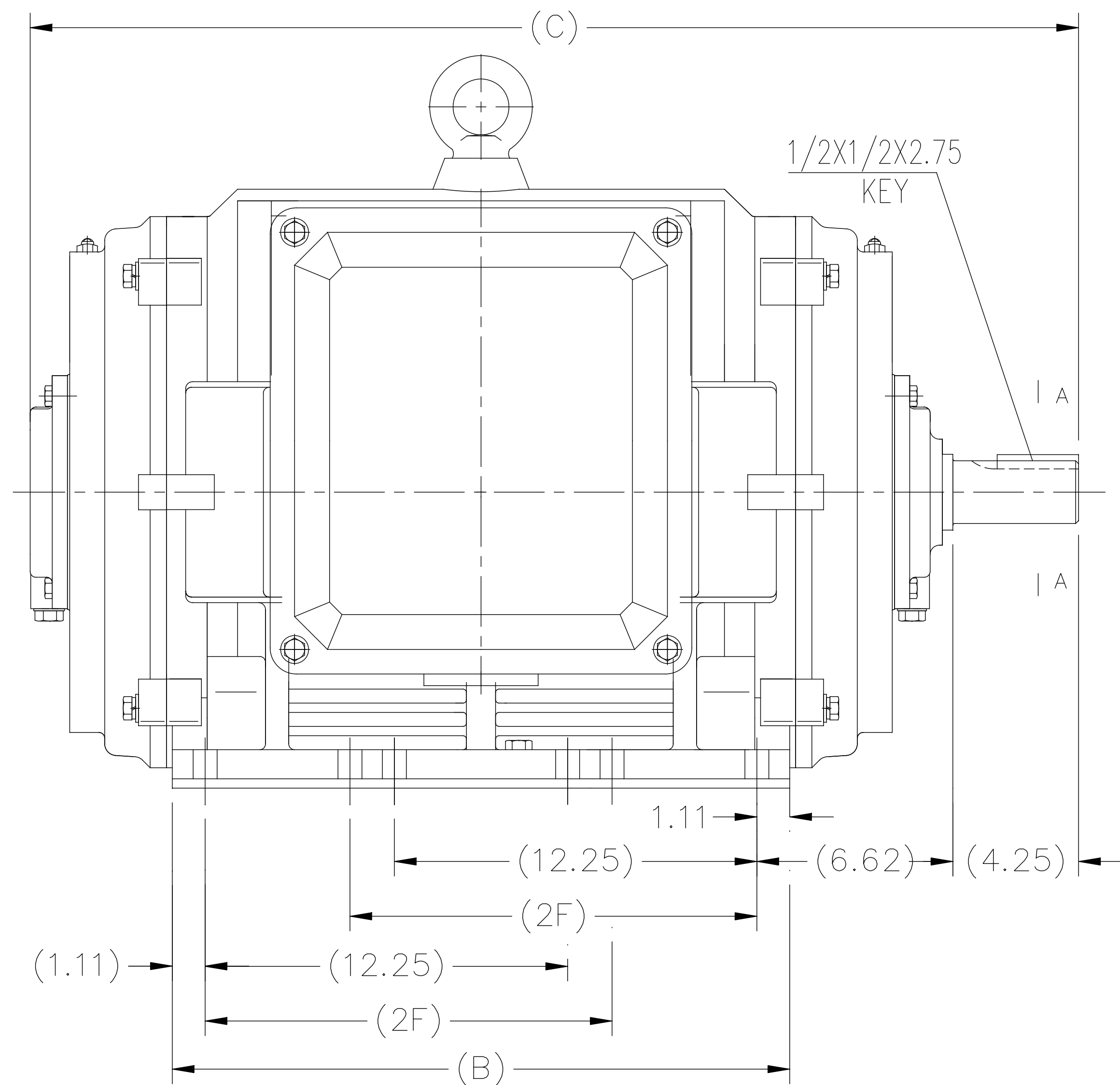
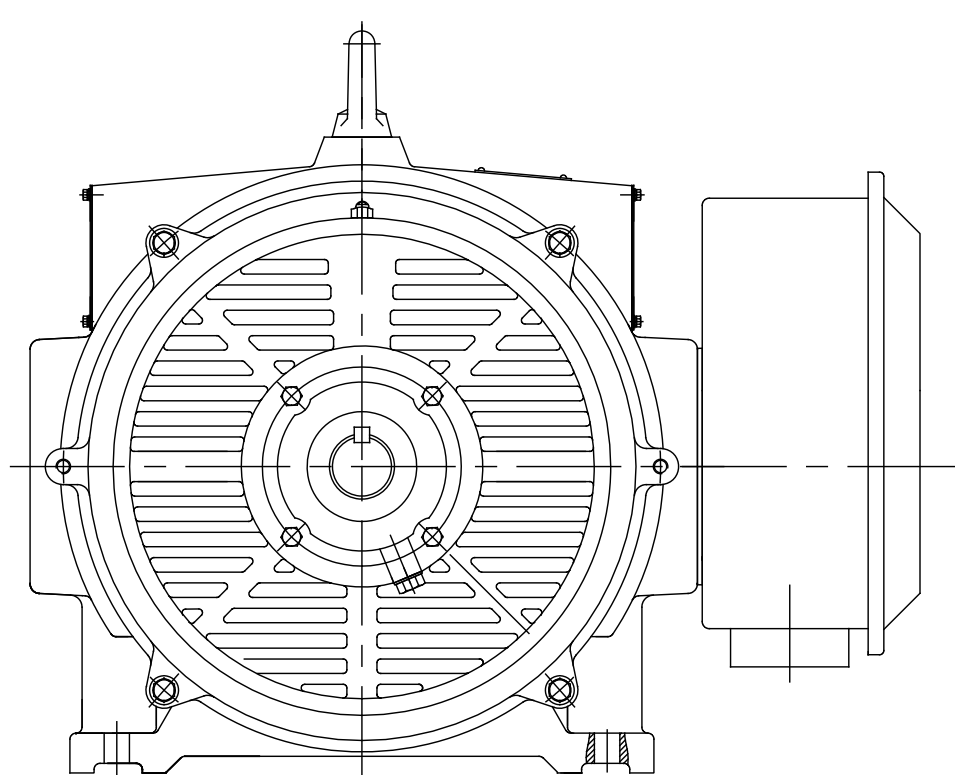


SS620752



F2 MOUNTING



404TS	33.86	19.29	N/A	8 HOLES
405TS	35.44	20.87	13.75	12 HOLES
Frame	C	B	2F	N HOLES

				TOLERANCES UNLESS SPECIFIED		REGAL REGAL-BELOIT CORPORATION		DRAWN WY 07-21-2016		
				DEC.	INCHES			CHK		
				.X	±.1			APPD		
				.XX	±.03	TITLE		SCALE	NONE	
				.XXX	±.005	404/405 TS FR - ODP - CAST IRON		REF		
				.XXXX	±.0005	MAT'L.		FMF	WUXI	
NO.	REVISION	BY & DATE	CHK	ANG	±7'30"	FINISH		PREV		
THIS DRAWING IN DESIGN AND DETAIL IS OUR PROPERTY AND MUST NOT BE USED EXCEPT IN CONNECTION WITH OUR WORK ALL RIGHTS OF DESIGN AND INVENTION ARE RESERVED THIS IS AN ELECTRONICALLY GENERATED DOCUMENT - DO NOT SCALE THIS PRINT			RFP	CAD FILE SS620752			SIZE	DRAWING NO.	PAGE 1 OF 1	REV.
			DIST				B	SS620752		