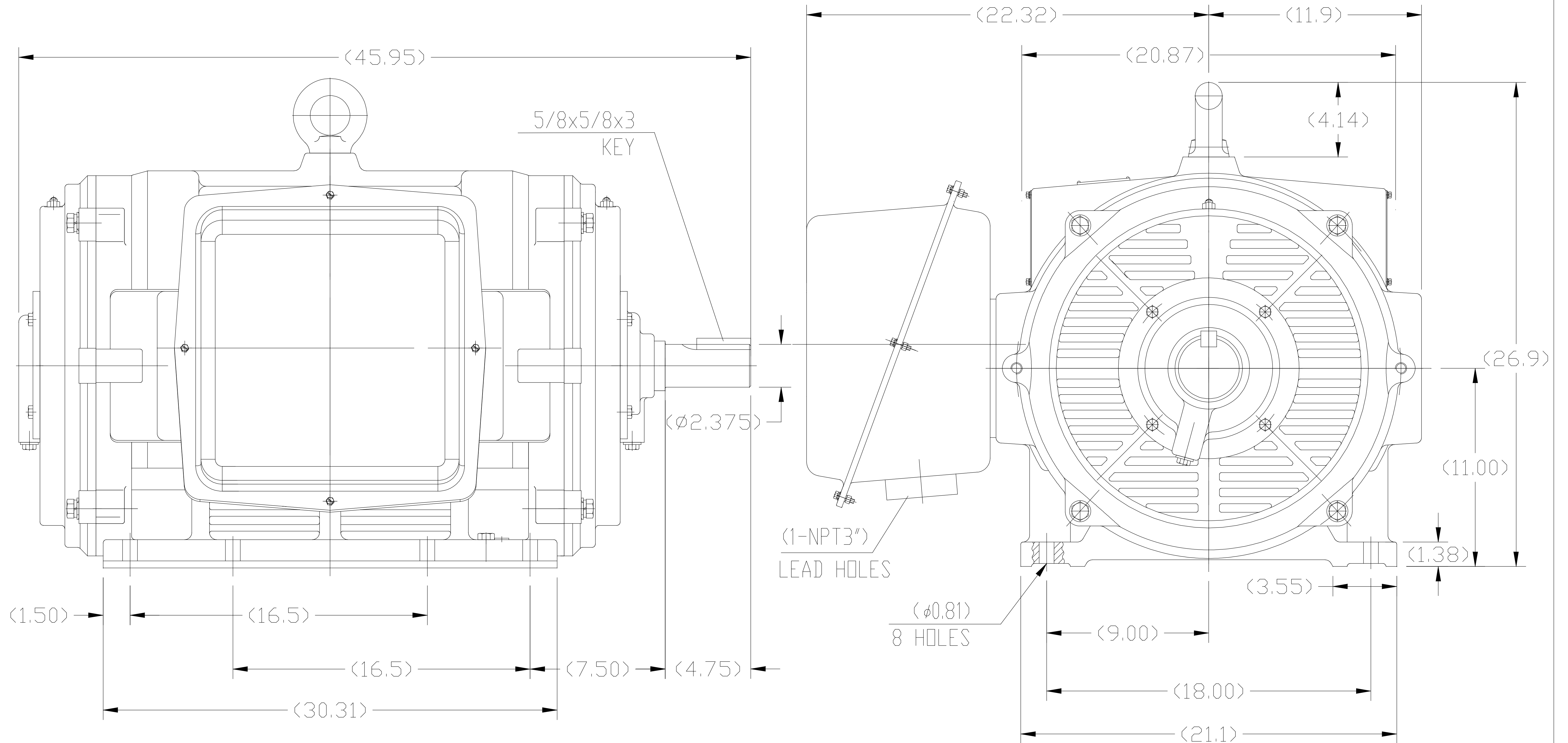



SS620853



STEEL CONDUIT BOX

			TOLERANCES UNLESS SPECIFIED		 REGAL-BELOIT CORPORATION		DRAWN WY				
			DEC.	INCHES			CHK ZYH	APPD CC			
			.X	±.1	TITLE 445TS FR-ODP-CAST IRON FIRE PUMP		SCALE 6=32				
			.XX	±.03			REF				
			.XXX	±.005	MAT'L. FINISH		FMF WUXI				
			.XXXX	±.0005			PREV				
NO.	REVISION	BY & DATE	CHK	ANG	±1/2	RFP	CAD FILE	SS620853	SIZE	DRAWING NO.	REV.
						DIST			B	SS620853	

THIS DRAWING IN DESIGN AND DETAIL IS OUR PROPERTY AND MUST NOT BE USED EXCEPT IN CONNECTION WITH OUR WORK ALL RIGHTS OF DESIGN AND INVENTION ARE RESERVED THIS IS AN ELECTRONICALLY GENERATED DOCUMENT - DO NOT SCALE THIS PRINT