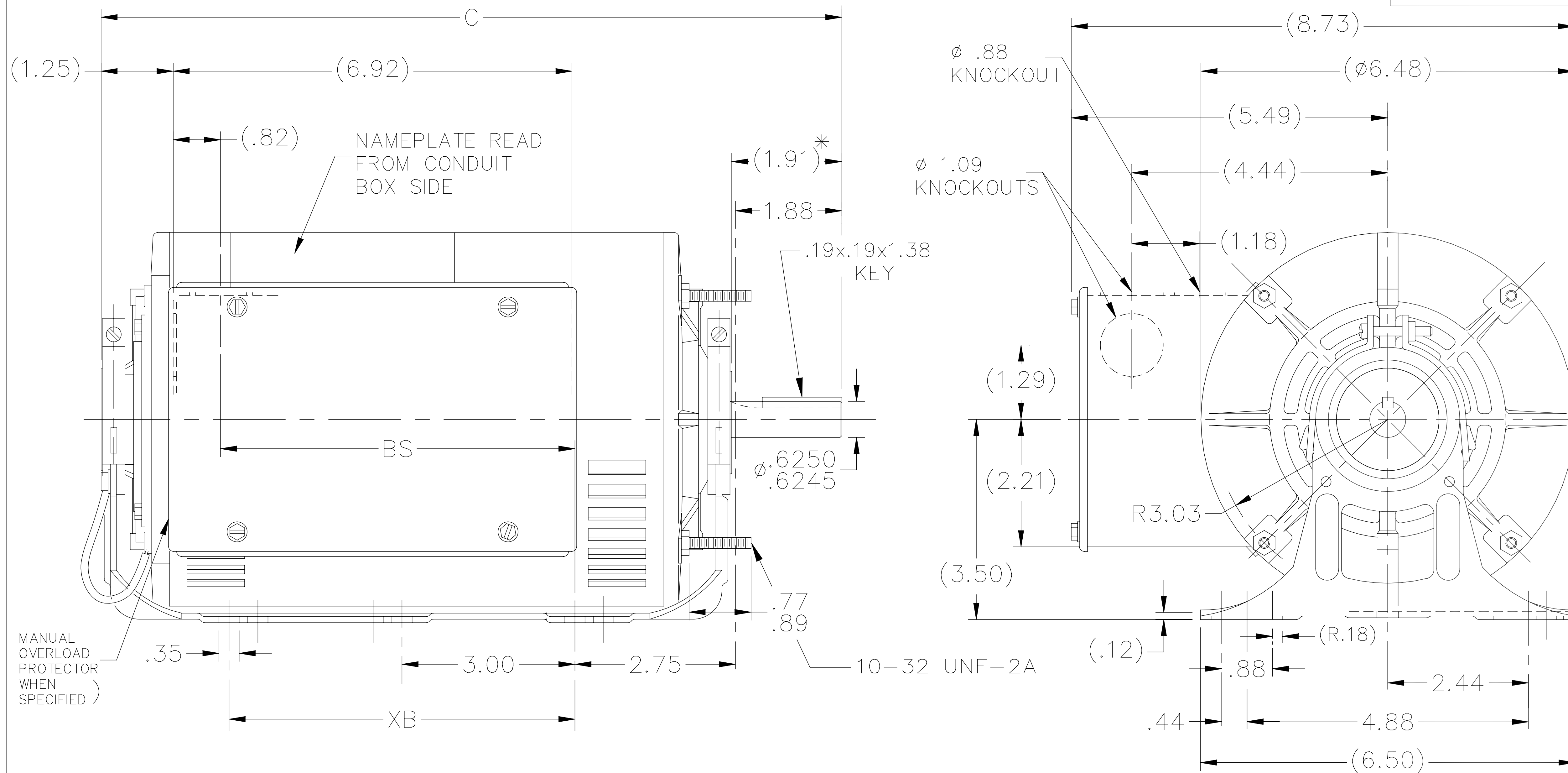


100765



* DIMENSION IS FROM RESILIENT RING END CAP TO END OF SHAFT

| DASH | FRAME | C | BS | XB |
|------|-------|-------|------|------|
| 756 | 56-75 | 11.85 | 5.18 | 5.00 |
| 856 | "-85 | 12.85 | 6.18 | 5.00 |
| 956 | "-95 | 13.85 | 7.18 | 5.00 |

| NO. | REVISION | BY & DATE | CHK | TOLERANCES UNLESS SPECIFIED | | REGAL™ Regal Beloit America, Inc. | DRAWN RM 06-16-1993 | | | |
|--|------------------------------|----------------|-----|-----------------------------|-----------------|---|---------------------|--------------------|---------|--------|
| | | | | DEC. | INCHES | | | | | |
| 5 | REMOVED NOTE PER ECR-0091538 | PST 08/21/15 | | DEC. | INCHES | TITLE OUTLINE 56 FR. - BB - DR.PR. - RESIL. BASE | CHK ML 06-16-1993 | | | |
| 4 | UPDATED DRAWING | RJW 03-28-2007 | .X | ±.1 | | | APPD RJS 06-18-1996 | | | |
| 3 | REDRAWN IN AUTOCAD | TAT 09-01-2004 | ML | .XX | ±.03 | MAT'L. | SCALE 3=8 | | | |
| 2 | ADDED NOTE CN 24378 | PGK 06-11-1997 | | .XXX | ±.005 | | REF | | | |
| 1 | NEW DRAWING 4034739 | RM 06-18-1993 | | .XXXX | ±.0005 | FINISH | FMF | | | |
| THIS DRAWING IN DESIGN AND DETAIL IS OUR PROPERTY AND MUST NOT BE USED EXCEPT IN CONNECTION WITH OUR WORK ALL RIGHTS OF DESIGN AND INVENTION ARE RESERVED THIS IS AN ELECTRONICALLY GENERATED DOCUMENT - DO NOT SCALE THIS PRINT | | | | RFP | CAD FILE 100765 | | SIZE A | DRAWING NO. 100765 | PAGE OF | REV. 5 |
| | | | | DIST WP | | | | | | |