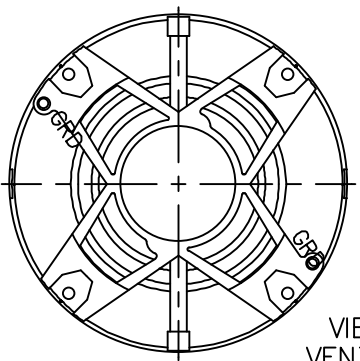
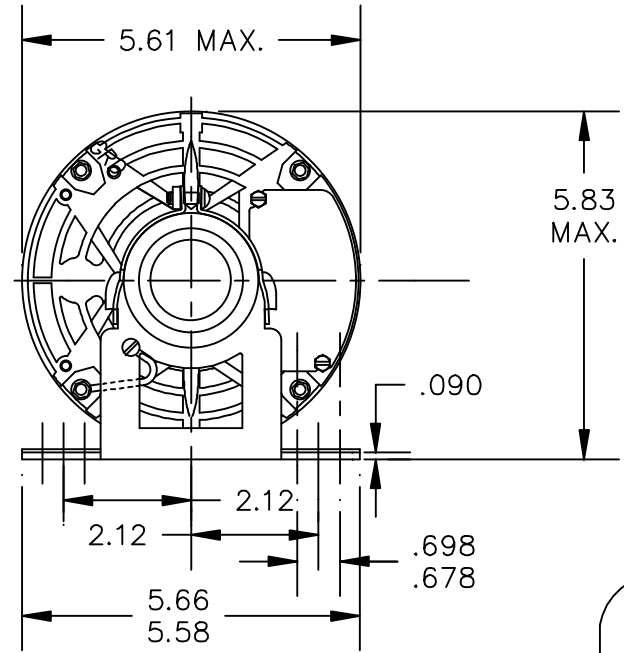
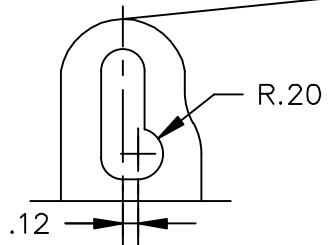
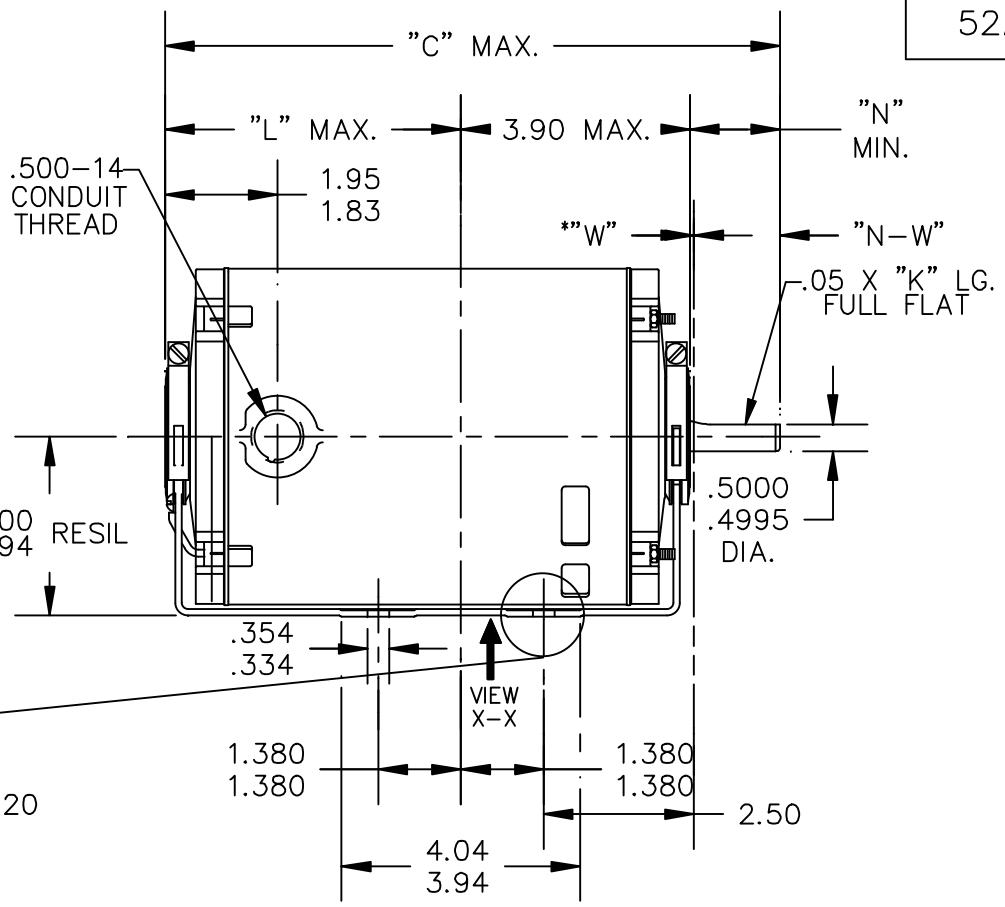


52A111792



VIEW SHOWING P.E. VENTILATION OPENINGS



VIEW X-X ENLARGED VIEW OF SLOT

"W" IS A CLEARANCE DUE TO VARIATION IN PARTS AND ASSEMBLY

4	KH	35	48	9.56	1.16	4.22	1.50	1.63	1.41
3	KH	32	48Z	10.74	2.22	3.59	3.31	3.44	3.22
2	KH	33	48	9.18	1.16	3.84	1.50	1.63	1.41
1	K KH	32	48	8.93	1.16	3.59	1.50	1.63	1.41
P	TYPE	RBC SIZE	NEMA FR	"C"	"K"	"L"	"N"	"N-W"	

				TOLERANCES UNLESS SPECIFIED		REGAL-BELOIT CORPORATION		DRAWN PKG 09/01/07		
				DEC.	INCHES			CHK		
				.X	±0.1			APPD PKG 09/01/07		
				.XX	±0.02			SCALE 1=1		
				.XXX	±0.005	TITLE		REF		
						OUTLINE DRIP PROOF RESIL. BASE		FMF		
01	REDRAWN IN DRAFT	SIGHT NO CHANGES	PVR 09/34/12	PKG .XXXX	±0.0005	MAT'L.		PREV		
NO.	REVISION		BY & DATE	CHK	ANG ±1.0	FINISH				
THIS DRAWING IN DESIGN AND DETAIL IS OUR PROPERTY AND MUST NOT BE USED EXCEPT IN CONNECTION WITH OUR WORK ALL RIGHTS OF DESIGN AND INVENTION ARE RESERVED THIS IS AN ELECTRONICALLY GENERATED DOCUMENT - DO NOT SCALE THIS PRINT				RFP		CAD FILE 52A111792		SIZE	DRAWING NO.	REV.
				DIST				A	52A111792	01