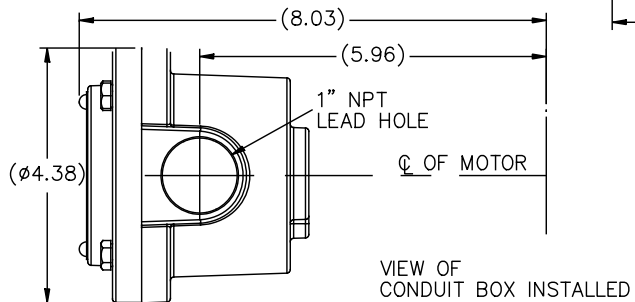
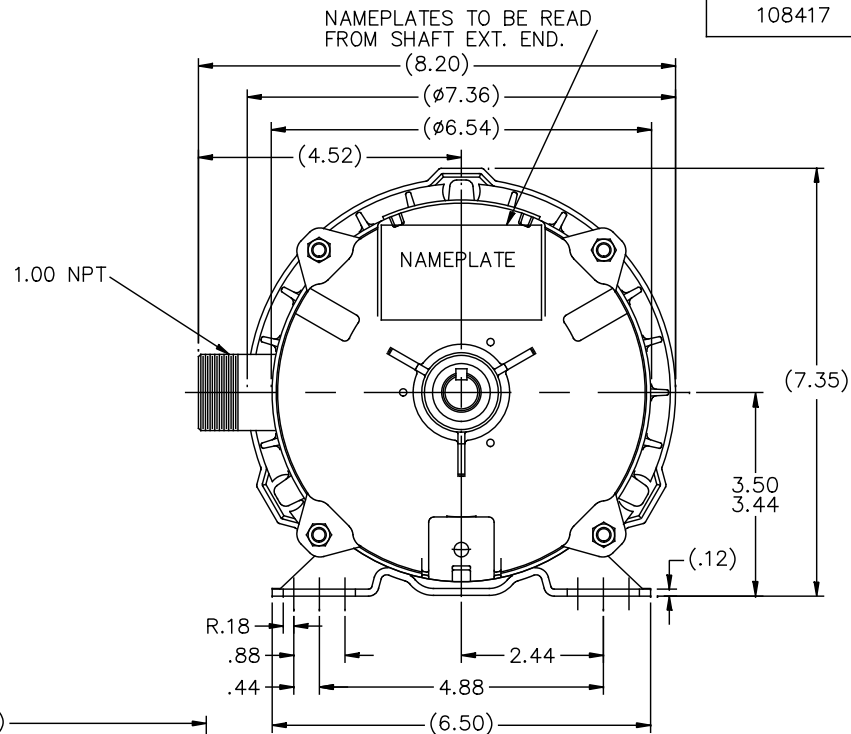
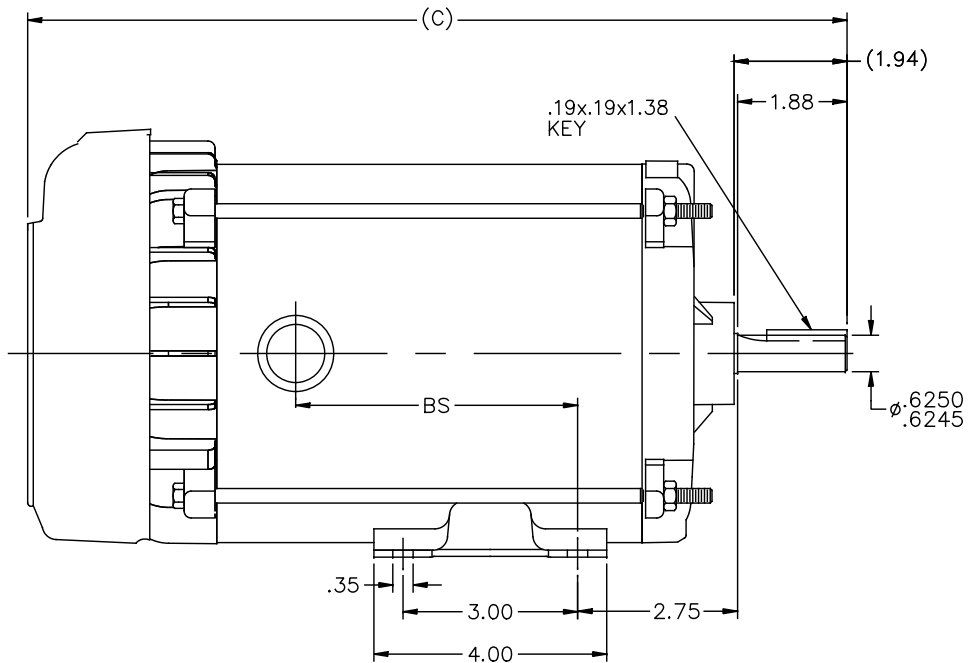


108417



DASH	(C)	BS
681	13.58	4.34
731	14.08	4.84
781	14.58	5.34
831	15.08	5.84
881	15.58	6.34
931	16.08	6.84
981	16.58	7.34

TOLERANCES UNLESS SPECIFIED		REGAL™ Regal Beloit America, Inc.		DRAWN SL 04/18/2016	
DEC.	INCHES	CHK	SM	APPD	SM
.X	±.1				
.XX	±.03				
.XXX	±.005				
A	NEW DRAWING	SL	04/18/2016	SM	.XXXX ±.005
	REVISION		BY & DATE	CHK	ANG ±7°30"
THIS DRAWING IN DESIGN AND DETAIL IS OUR PROPERTY AND MUST NOT BE USED EXCEPT IN CONNECTION WITH OUR WORK. ALL RIGHTS OF DESIGN AND INVENTION ARE RESERVED. THIS IS AN ELECTRONICALLY GENERATED DOCUMENT - DO NOT SCALE THIS PRINT.		RFP	CAD FILE 108049LE	SIZE	DRAWING NO.
		DIST	WP	B	108417
				PAGE	OF
					A

TITLE OUTLINE
56H FR. - EXP. PR. - EPFC

SCALE 1=2
REF 108049LE
FMF MU113004
PREV