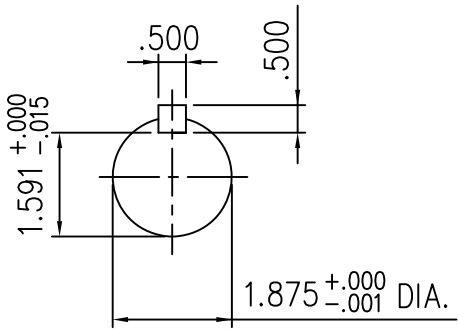
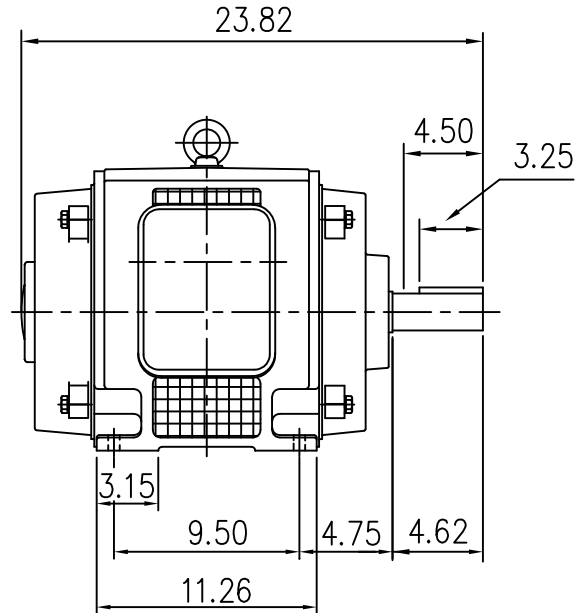
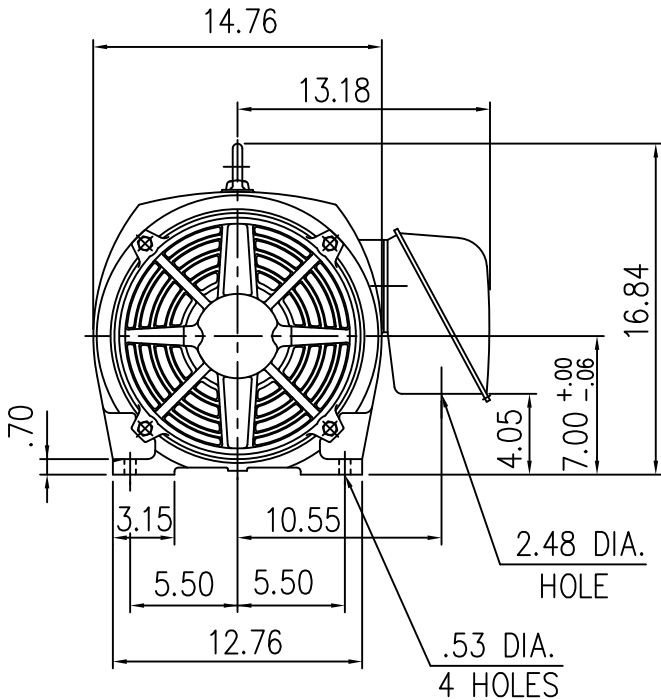


INDEX	SAS013488
REV. LEVEL	01
SHEET	1 OF 1

TOSHIBA/HOUSTON

OPEN DRIP-PROOF
HORIZONTAL FOOT-MOUNTED

Fr. 284T



- (1) DIMENSIONS ARE IN INCHES
- (2) DRIVE END BEARING 6312C3
OPPOSITE DRIVE END BEARING 6312C3
- (3) LEAD WIRE: 8 FEET LENGTH

ALL DATA SUBJECT TO CHANGE WITHOUT NOTICE.
FOR CONSTRUCTION USE ONLY CERTIFIED DATA.

CERTIFIED DATA

CUSTOMER: _____ P.O. NO.: _____ TAG NO.: _____
 MOTOR MODEL NO.: _____ TOSHIBA FILE NO.: _____
 HP: _____ RPM (SYN.): _____ VOLTAGE: _____ Hz: _____
 FRAME SIZE: _____ LOG NO.: _____ LOG REV. LEVEL: _____
 REMARKS: _____

PER: _____ ISSUE DATE: _____ SUPERSEDES: _____