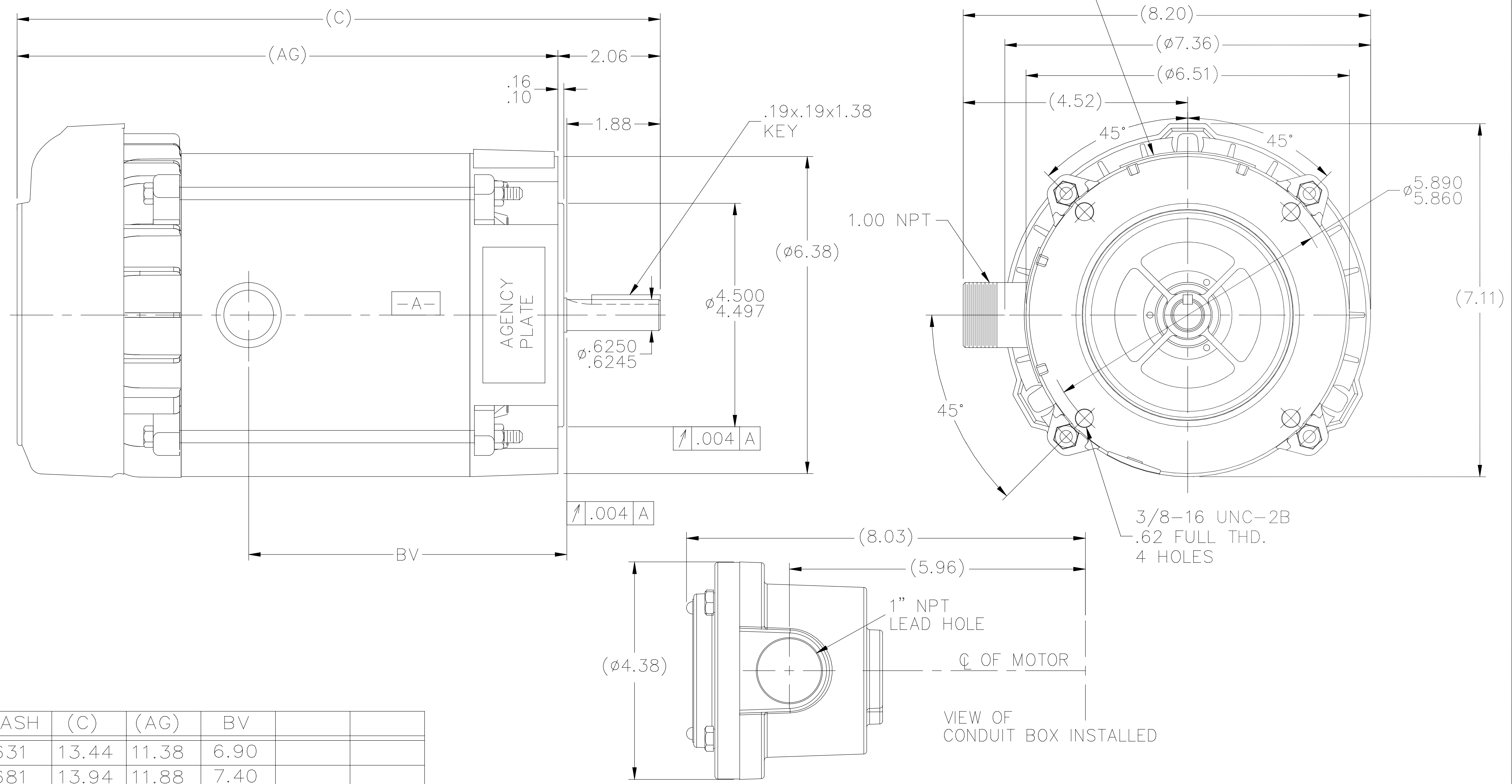


NAMEPLATES TO BE READ FROM SHAFT EXT. END.



| DASH | (C) | (AG) | BV | | |
|------|-------|-------|-------|--|--|
| 631 | 13.44 | 11.38 | 6.90 | | |
| 681 | 13.94 | 11.88 | 7.40 | | |
| 731 | 14.44 | 12.38 | 7.90 | | |
| 781 | 14.94 | 12.88 | 8.40 | | |
| 831 | 15.44 | 13.38 | 8.90 | | |
| 881 | 15.94 | 13.88 | 9.40 | | |
| 931 | 16.44 | 14.38 | 9.90 | | |
| 981 | 16.94 | 14.88 | 10.40 | | |

| NO. | REVISION | BY & DATE | CHK | ANG | FINISH | TOLERANCES UNLESS SPECIFIED | | REGAL™ Regal Beloit America, Inc. | DRAWN MH 11-21-1996 | | |
|--|--|----------------|-----|-------|--------|-----------------------------|-----------------|-----------------------------------|---------------------|-----------|--------|
| | | | | | | DEC. | INCHES | | | | |
| 6 | | SL 09/15/15 | | | | | | | CHK ML 11-25-1996 | | |
| 5 | COND. BOX INSTALLED VIEW UPDATED PER ECR-0044571 | UD 10/10/13 | ST | | | | | | APPD GK 12-02-1996 | | |
| 4 | REVISED C'BOX PER CN40784A | JJB 02/23/2007 | ML | .X | ±.1 | | | | SCALE 17=32 | | |
| 3 | REDRAWN IN AUTOCAD | TAT 06-28-2004 | ML | .XX | ±.03 | | | TITLE OUTLINE - 'C' FACE | REF | | |
| 2 | ADDED CONDUIT BOX VIEW CN 26686 | MRB 03-22-1999 | | .XXX | ±.005 | | | 56C/145TCZ FR - EXP PR. | | | |
| 1 | NEW DRAWING CN 23099 | MH 12-02-1996 | SM | .XXXX | ±.0005 | | | MAT'L. | FMF | | |
| | | | | | | | | | PREV | | |
| THIS DRAWING IN DESIGN AND DETAIL IS OUR PROPERTY AND MUST NOT BE USED EXCEPT IN CONNECTION WITH OUR WORK ALL RIGHTS OF DESIGN AND INVENTION ARE RESERVED THIS IS AN ELECTRONICALLY GENERATED DOCUMENT - DO NOT SCALE THIS PRINT | | | | | | RFP | CAD FILE 104188 | SIZE B | DRAWING NO. 104188 | PAGE OF 6 | REV. 6 |
| | | | | | | DIST WP | | | | | |